

April 2019



**OMATION**  
SERIES 210™ ENVELOPENER®

## Omaton Series 210™ Envelopener® Operator Manual

92769110M-EN

Revision 19-01

Original Instructions



Omaton Series 210™ Envelopener®



**WARNING**

Read this manual thoroughly before attempting to operate this equipment.  
Keep a current copy for your reference.

© 2019 OPEX® Corporation

All rights reserved. This document is provided by OPEX for use by their customers, partners and dealers. No portion of these materials may be reproduced, published, or stored in a database or retrieval system, other than for its intended use without the express, written consent of OPEX Corporation.

---

---

## 0.1. Contacting OPEX

---

---

### **For technical support:**

OPEX Technical Support  
835 Lancer Drive  
Moorestown, NJ 08057 USA

Americas: 1 800.673.9288 -OR- 856.727.1950

EMEA: +1 800.673.9288

Australia: +1 800.945247

<https://www.opex.com/support-service>

Please have the model name and serial number of the product ready (see ["" on page 35](#)).

### **For other inquiries:**





OPEX® Corporation  
305 Commerce Dr.  
Moorestown, NJ 08057-4234 USA  
Tel: +1 856.727.1100  
Fax: +1 856.727.1955  
<https://www.opex.com/>

If you find errors, inaccuracies, or any other issues or concerns with this document, please contact the OPEX Technical Writers via email at:





[GroupTechwriters@opex.com](mailto:GroupTechwriters@opex.com)

For help with opexservice.com website-related issues, please contact the OPEX Web Developers via email at: [GroupWebDev@opex.com](mailto:GroupWebDev@opex.com)

## 0.2. EC Declaration of Conformity Australia: AU


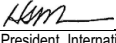
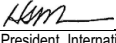
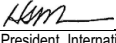
		<b>EU Declaration of Conformity</b> <b>OM210</b> This declaration of conformity is issued under the sole responsibility of the manufacturer.																				
1.0	Manufacturer	<table border="1"> <tr> <td>NAME</td> <td>OPEX Corporation</td> </tr> <tr> <td>ADDRESS</td> <td>305 Commerce Drive, Moorestown, NJ 08057, USA</td> </tr> </table>	NAME	OPEX Corporation	ADDRESS	305 Commerce Drive, Moorestown, NJ 08057, USA																
NAME	OPEX Corporation																					
ADDRESS	305 Commerce Drive, Moorestown, NJ 08057, USA																					
2.0	Technical File	Technical documentation is compiled in accordance with Part B of Annex VII of the machinery directive. This documentation is available on a reasoned request by appropriate national authority to our authorized representative: <table border="1"> <tr> <td>NAME</td> <td>OPEX Business Machines Pty Ltd</td> </tr> <tr> <td>ADDRESS</td> <td>Level 12, 225 George Street Sydney, NSW 2000 Australia</td> </tr> </table>	NAME	OPEX Business Machines Pty Ltd	ADDRESS	Level 12, 225 George Street Sydney, NSW 2000 Australia																
NAME	OPEX Business Machines Pty Ltd																					
ADDRESS	Level 12, 225 George Street Sydney, NSW 2000 Australia																					
3.0	Description and identification	<table border="1"> <tr> <td>Description</td> <td>Envelope Opener</td> </tr> <tr> <td>Model</td> <td>OM210</td> </tr> <tr> <td>Serial Number</td> <td></td> </tr> <tr> <td>Year Manufactured</td> <td>From 2019</td> </tr> </table>	Description	Envelope Opener	Model	OM210	Serial Number		Year Manufactured	From 2019												
Description	Envelope Opener																					
Model	OM210																					
Serial Number																						
Year Manufactured	From 2019																					
4.0	Directives	<table border="1"> <tr> <td>2014/35/EU</td> <td>Low Voltage Directive</td> </tr> <tr> <td>2014/30/EU</td> <td>Electromagnetic Compatibility Directive</td> </tr> <tr> <td>2011/65/EU</td> <td>RoHS 2 Directive</td> </tr> <tr> <td>2015/863/EU</td> <td>RoHS 3 amendment</td> </tr> </table>	2014/35/EU	Low Voltage Directive	2014/30/EU	Electromagnetic Compatibility Directive	2011/65/EU	RoHS 2 Directive	2015/863/EU	RoHS 3 amendment												
2014/35/EU	Low Voltage Directive																					
2014/30/EU	Electromagnetic Compatibility Directive																					
2011/65/EU	RoHS 2 Directive																					
2015/863/EU	RoHS 3 amendment																					
5.0	Harmonized Standards used	<table border="1"> <tr> <td>CISPR 14-1 Ed 5.2:2011</td> <td>Radiated Emissions</td> </tr> <tr> <td>CISPR 14-1 Ed 5.2:2011</td> <td>AC Mains Conducted Emissions</td> </tr> <tr> <td>IEC 61000-3-2:2014</td> <td>Harmonics</td> </tr> <tr> <td>IEC 61000-3-3:2013</td> <td>Flicker</td> </tr> <tr> <td>IEC 61000-4-2:2008</td> <td>Electro-Static Discharge Immunity Test</td> </tr> <tr> <td>IEC 61000-4-3:2006, IEC 61000-4-3:2006/AMD1:2007 IEC 61000-4-3:2006/AMD2:2010</td> <td>Radiated, Radio-Frequency, Electromagnetic Immunity</td> </tr> <tr> <td>IEC 61000-4-4:2012</td> <td>Electrical Fast Transient/Burst Immunity Test</td> </tr> <tr> <td>IEC 61000-4-5:2014</td> <td>Immunity to Surges</td> </tr> <tr> <td>IEC 61000-4-6:2013</td> <td>Conducted, Radio-Frequency, Electromagnetic Immunity Test</td> </tr> <tr> <td>IEC 61000-4-11:2004</td> <td>Voltage Dips/Interruptions Immunity Test</td> </tr> </table>	CISPR 14-1 Ed 5.2:2011	Radiated Emissions	CISPR 14-1 Ed 5.2:2011	AC Mains Conducted Emissions	IEC 61000-3-2:2014	Harmonics	IEC 61000-3-3:2013	Flicker	IEC 61000-4-2:2008	Electro-Static Discharge Immunity Test	IEC 61000-4-3:2006, IEC 61000-4-3:2006/AMD1:2007 IEC 61000-4-3:2006/AMD2:2010	Radiated, Radio-Frequency, Electromagnetic Immunity	IEC 61000-4-4:2012	Electrical Fast Transient/Burst Immunity Test	IEC 61000-4-5:2014	Immunity to Surges	IEC 61000-4-6:2013	Conducted, Radio-Frequency, Electromagnetic Immunity Test	IEC 61000-4-11:2004	Voltage Dips/Interruptions Immunity Test
CISPR 14-1 Ed 5.2:2011	Radiated Emissions																					
CISPR 14-1 Ed 5.2:2011	AC Mains Conducted Emissions																					
IEC 61000-3-2:2014	Harmonics																					
IEC 61000-3-3:2013	Flicker																					
IEC 61000-4-2:2008	Electro-Static Discharge Immunity Test																					
IEC 61000-4-3:2006, IEC 61000-4-3:2006/AMD1:2007 IEC 61000-4-3:2006/AMD2:2010	Radiated, Radio-Frequency, Electromagnetic Immunity																					
IEC 61000-4-4:2012	Electrical Fast Transient/Burst Immunity Test																					
IEC 61000-4-5:2014	Immunity to Surges																					
IEC 61000-4-6:2013	Conducted, Radio-Frequency, Electromagnetic Immunity Test																					
IEC 61000-4-11:2004	Voltage Dips/Interruptions Immunity Test																					
6.0	Technical Standards used	<table border="1"> <tr> <td>CISPR 14-1:2005Ed.5+A1;C1;A2</td> <td>Electromagnetic Compatibility Requirements For Household Appliances, Electric Tools And Similar Apparatus Part 1: Emission</td> </tr> <tr> <td>CISPR 14-2:2015Ed.2</td> <td>Electromagnetic Compatibility - Requirements For Household Appliances, Electric Tools And Similar Apparatus - Part 2: Immunity - Product Family Standard</td> </tr> <tr> <td>IEC 61000-3-2:2014 Ed.4</td> <td>Electromagnetic Compatibility (EMC) - Part 3-2: Limits - Limits for Harmonic Current Emissions (Equipment Input Current &lt;= 16 A per Phase)</td> </tr> <tr> <td>IEC 61000-3-3:2013 Ed.3</td> <td>Electromagnetic Compatibility (EMC) - Part 3-3: Limits - Limitation of Voltage Changes, Fluctuations and Flicker in Public Low-Voltage Supply Systems for Equipment with Rated Current &lt;=16A Per Phase and not Subject to Conditional Connection</td> </tr> <tr> <td>FCC 47CFR: (Part 15 Subpart B) Title 47 CFR Part 15 Subpart B</td> <td>Unintentional Radiators</td> </tr> <tr> <td>FCC 47CFR PT 15 SPT B Issued: 2013/01/28 Title 47 CFR Part 15 Subpart B:</td> <td>Unintentional Radiators</td> </tr> <tr> <td>IEC 62368-1:2014 Ed.2 +C1</td> <td>Audio/Video, Information And Communication Technology Equipment - Part 1: Safety Requirements</td> </tr> <tr> <td>ISO 7779 Issued:1999/08/01</td> <td>Acoustics - Measurement of Airborne Noise Emitted by Information Technology and Telecommunications Equipment-Second Edition; Amendment 1: 3/01/2003</td> </tr> </table>	CISPR 14-1:2005Ed.5+A1;C1;A2	Electromagnetic Compatibility Requirements For Household Appliances, Electric Tools And Similar Apparatus Part 1: Emission	CISPR 14-2:2015Ed.2	Electromagnetic Compatibility - Requirements For Household Appliances, Electric Tools And Similar Apparatus - Part 2: Immunity - Product Family Standard	IEC 61000-3-2:2014 Ed.4	Electromagnetic Compatibility (EMC) - Part 3-2: Limits - Limits for Harmonic Current Emissions (Equipment Input Current <= 16 A per Phase)	IEC 61000-3-3:2013 Ed.3	Electromagnetic Compatibility (EMC) - Part 3-3: Limits - Limitation of Voltage Changes, Fluctuations and Flicker in Public Low-Voltage Supply Systems for Equipment with Rated Current <=16A Per Phase and not Subject to Conditional Connection	FCC 47CFR: (Part 15 Subpart B) Title 47 CFR Part 15 Subpart B	Unintentional Radiators	FCC 47CFR PT 15 SPT B Issued: 2013/01/28 Title 47 CFR Part 15 Subpart B:	Unintentional Radiators	IEC 62368-1:2014 Ed.2 +C1	Audio/Video, Information And Communication Technology Equipment - Part 1: Safety Requirements	ISO 7779 Issued:1999/08/01	Acoustics - Measurement of Airborne Noise Emitted by Information Technology and Telecommunications Equipment-Second Edition; Amendment 1: 3/01/2003				
CISPR 14-1:2005Ed.5+A1;C1;A2	Electromagnetic Compatibility Requirements For Household Appliances, Electric Tools And Similar Apparatus Part 1: Emission																					
CISPR 14-2:2015Ed.2	Electromagnetic Compatibility - Requirements For Household Appliances, Electric Tools And Similar Apparatus - Part 2: Immunity - Product Family Standard																					
IEC 61000-3-2:2014 Ed.4	Electromagnetic Compatibility (EMC) - Part 3-2: Limits - Limits for Harmonic Current Emissions (Equipment Input Current <= 16 A per Phase)																					
IEC 61000-3-3:2013 Ed.3	Electromagnetic Compatibility (EMC) - Part 3-3: Limits - Limitation of Voltage Changes, Fluctuations and Flicker in Public Low-Voltage Supply Systems for Equipment with Rated Current <=16A Per Phase and not Subject to Conditional Connection																					
FCC 47CFR: (Part 15 Subpart B) Title 47 CFR Part 15 Subpart B	Unintentional Radiators																					
FCC 47CFR PT 15 SPT B Issued: 2013/01/28 Title 47 CFR Part 15 Subpart B:	Unintentional Radiators																					
IEC 62368-1:2014 Ed.2 +C1	Audio/Video, Information And Communication Technology Equipment - Part 1: Safety Requirements																					
ISO 7779 Issued:1999/08/01	Acoustics - Measurement of Airborne Noise Emitted by Information Technology and Telecommunications Equipment-Second Edition; Amendment 1: 3/01/2003																					
7.0	Approval	I, the undersigned, hereby declare that the equipment specified above conforms to the above Directive(s) and Standard(s). <table border="1"> <tr> <td>Place of issue</td> <td>Moorestown, NJ, USA</td> </tr> <tr> <td>Date of issue</td> <td>Mar 19, 2019</td> </tr> <tr> <td>Authorized</td> <td>Scott Maurer, </td> </tr> <tr> <td>Title</td> <td>President, International Division</td> </tr> </table>	Place of issue	Moorestown, NJ, USA	Date of issue	Mar 19, 2019	Authorized	Scott Maurer, 	Title	President, International Division												
Place of issue	Moorestown, NJ, USA																					
Date of issue	Mar 19, 2019																					
Authorized	Scott Maurer, 																					
Title	President, International Division																					
Drawing: 92701xx-DoC-AU		Revision: 0.1																				

## 0.3. EC Declaration of Conformity France: FR


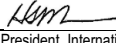
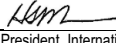
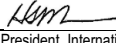
		<b>EU Declaration of Conformity</b> <b>OM210</b>																					
		This declaration of conformity is issued under the sole responsibility of the manufacturer.																					
1.0	Manufacturer	<table border="1"> <tr> <td>NAME</td> <td>OPEX Corporation</td> </tr> <tr> <td>ADDRESS</td> <td>305 Commerce Drive, Moorestown, NJ 08057, USA</td> </tr> </table>	NAME	OPEX Corporation	ADDRESS	305 Commerce Drive, Moorestown, NJ 08057, USA																	
NAME	OPEX Corporation																						
ADDRESS	305 Commerce Drive, Moorestown, NJ 08057, USA																						
2.0	Technical File	Technical documentation is compiled in accordance with Part B of Annex VII of the machinery directive. This documentation is available on a reasoned request by appropriate national authority to our authorized representative:																					
		<table border="1"> <tr> <td>NAME</td> <td>OPEX Corporation</td> </tr> <tr> <td>ADDRESS</td> <td>Les Fjords - Bâtiment Vega 19, avenue de Norvège ZA de Courtaboeuf 91140 Villebon-sur-Yvette, France</td> </tr> </table>	NAME	OPEX Corporation	ADDRESS	Les Fjords - Bâtiment Vega 19, avenue de Norvège ZA de Courtaboeuf 91140 Villebon-sur-Yvette, France																	
NAME	OPEX Corporation																						
ADDRESS	Les Fjords - Bâtiment Vega 19, avenue de Norvège ZA de Courtaboeuf 91140 Villebon-sur-Yvette, France																						
3.0	Description and identification	<table border="1"> <tr> <td>Description</td> <td>Envelope Opener</td> </tr> <tr> <td>Model</td> <td>OM210</td> </tr> <tr> <td>Serial Number</td> <td></td> </tr> <tr> <td>Year Manufactured</td> <td>From 2019</td> </tr> </table>	Description	Envelope Opener	Model	OM210	Serial Number		Year Manufactured	From 2019													
Description	Envelope Opener																						
Model	OM210																						
Serial Number																							
Year Manufactured	From 2019																						
4.0	Directives	<table border="1"> <tr> <td>2014/35/EU</td> <td>Low Voltage Directive</td> </tr> <tr> <td>2014/30/EU</td> <td>Electromagnetic Compatibility Directive</td> </tr> <tr> <td>2011/65/EU</td> <td>RoHS 2 Directive</td> </tr> <tr> <td>2015/863/EU</td> <td>RoHS 3 amendment</td> </tr> </table>	2014/35/EU	Low Voltage Directive	2014/30/EU	Electromagnetic Compatibility Directive	2011/65/EU	RoHS 2 Directive	2015/863/EU	RoHS 3 amendment													
2014/35/EU	Low Voltage Directive																						
2014/30/EU	Electromagnetic Compatibility Directive																						
2011/65/EU	RoHS 2 Directive																						
2015/863/EU	RoHS 3 amendment																						
5.0	Harmonized Standards used	<table border="1"> <tr> <td>CISPR 14-1 Ed 5.2:2011</td> <td>Radiated Emissions</td> </tr> <tr> <td>CISPR 14-1 Ed 5.2:2011</td> <td>AC Mains Conducted Emissions</td> </tr> <tr> <td>IEC 61000-3-2:2014</td> <td>Harmonics</td> </tr> <tr> <td>IEC 61000-3-3:2013</td> <td>Flicker</td> </tr> <tr> <td>IEC 61000-4-2:2008</td> <td>Electro-Static Discharge Immunity Test</td> </tr> <tr> <td>IEC 61000-4-3:2006, IEC 61000-4-3:2006/AMD1:2007 IEC 61000-4-3:2006/AMD2:2010</td> <td>Radiated, Radio-Frequency, Electromagnetic Immunity</td> </tr> <tr> <td>IEC 61000-4-4:2012</td> <td>Electrical Fast Transient/Burst Immunity Test</td> </tr> <tr> <td>IEC 61000-4-5:2014</td> <td>Immunity to Surges</td> </tr> <tr> <td>IEC 61000-4-6:2013</td> <td>Conducted, Radio-Frequency, Electromagnetic Immunity Test</td> </tr> <tr> <td>IEC 61000-4-11:2004</td> <td>Voltage Dips/Interruptions Immunity Test</td> </tr> </table>	CISPR 14-1 Ed 5.2:2011	Radiated Emissions	CISPR 14-1 Ed 5.2:2011	AC Mains Conducted Emissions	IEC 61000-3-2:2014	Harmonics	IEC 61000-3-3:2013	Flicker	IEC 61000-4-2:2008	Electro-Static Discharge Immunity Test	IEC 61000-4-3:2006, IEC 61000-4-3:2006/AMD1:2007 IEC 61000-4-3:2006/AMD2:2010	Radiated, Radio-Frequency, Electromagnetic Immunity	IEC 61000-4-4:2012	Electrical Fast Transient/Burst Immunity Test	IEC 61000-4-5:2014	Immunity to Surges	IEC 61000-4-6:2013	Conducted, Radio-Frequency, Electromagnetic Immunity Test	IEC 61000-4-11:2004	Voltage Dips/Interruptions Immunity Test	
CISPR 14-1 Ed 5.2:2011	Radiated Emissions																						
CISPR 14-1 Ed 5.2:2011	AC Mains Conducted Emissions																						
IEC 61000-3-2:2014	Harmonics																						
IEC 61000-3-3:2013	Flicker																						
IEC 61000-4-2:2008	Electro-Static Discharge Immunity Test																						
IEC 61000-4-3:2006, IEC 61000-4-3:2006/AMD1:2007 IEC 61000-4-3:2006/AMD2:2010	Radiated, Radio-Frequency, Electromagnetic Immunity																						
IEC 61000-4-4:2012	Electrical Fast Transient/Burst Immunity Test																						
IEC 61000-4-5:2014	Immunity to Surges																						
IEC 61000-4-6:2013	Conducted, Radio-Frequency, Electromagnetic Immunity Test																						
IEC 61000-4-11:2004	Voltage Dips/Interruptions Immunity Test																						
6.0	Technical Standards used	<table border="1"> <tr> <td>CISPR 14-1:2005Ed.5+A1;C1;A2</td> <td>Electromagnetic Compatibility Requirements For Household Appliances, Electric Tools And Similar Apparatus Part 1: Emission</td> </tr> <tr> <td>CISPR 14-2:2015Ed.2</td> <td>Electromagnetic Compatibility - Requirements For Household Appliances, Electric Tools And Similar Apparatus - Part 2: Immunity - Product Family Standard</td> </tr> <tr> <td>IEC 61000-3-2:2014 Ed.4</td> <td>Electromagnetic Compatibility (EMC) - Part 3-2: Limits - Limits for Harmonic Current Emissions (Equipment Input Current &lt;= 16 A per Phase)</td> </tr> <tr> <td>IEC 61000-3-3:2013 Ed.3</td> <td>Electromagnetic Compatibility (EMC) - Part 3-3: Limits - Limitation of Voltage Changes, Fluctuations and Flicker in Public Low-Voltage Supply Systems for Equipment with Rated Current &lt;=16A Per Phase and not Subject to Conditional Connection</td> </tr> <tr> <td>FCC 47CFR: (Part 15 Subpart B) Title 47 CFR Part 15 Subpart B</td> <td>Unintentional Radiators</td> </tr> <tr> <td>FCC 47CFR PT 15 SPT B Issued: 2013/01/28 Title 47 CFR Part 15 Subpart B:</td> <td>Unintentional Radiators</td> </tr> <tr> <td>IEC 62368-1:2014 Ed.2 +C1</td> <td>Audio/Video, Information And Communication Technology Equipment - Part 1: Safety Requirements</td> </tr> <tr> <td>ISO 7779 Issued:1999/08/01</td> <td>Acoustics - Measurement of Airborne Noise Emitted by Information Technology and Telecommunications Equipment-Second Edition; Amendment 1: 3/01/2003</td> </tr> </table>	CISPR 14-1:2005Ed.5+A1;C1;A2	Electromagnetic Compatibility Requirements For Household Appliances, Electric Tools And Similar Apparatus Part 1: Emission	CISPR 14-2:2015Ed.2	Electromagnetic Compatibility - Requirements For Household Appliances, Electric Tools And Similar Apparatus - Part 2: Immunity - Product Family Standard	IEC 61000-3-2:2014 Ed.4	Electromagnetic Compatibility (EMC) - Part 3-2: Limits - Limits for Harmonic Current Emissions (Equipment Input Current <= 16 A per Phase)	IEC 61000-3-3:2013 Ed.3	Electromagnetic Compatibility (EMC) - Part 3-3: Limits - Limitation of Voltage Changes, Fluctuations and Flicker in Public Low-Voltage Supply Systems for Equipment with Rated Current <=16A Per Phase and not Subject to Conditional Connection	FCC 47CFR: (Part 15 Subpart B) Title 47 CFR Part 15 Subpart B	Unintentional Radiators	FCC 47CFR PT 15 SPT B Issued: 2013/01/28 Title 47 CFR Part 15 Subpart B:	Unintentional Radiators	IEC 62368-1:2014 Ed.2 +C1	Audio/Video, Information And Communication Technology Equipment - Part 1: Safety Requirements	ISO 7779 Issued:1999/08/01	Acoustics - Measurement of Airborne Noise Emitted by Information Technology and Telecommunications Equipment-Second Edition; Amendment 1: 3/01/2003					
CISPR 14-1:2005Ed.5+A1;C1;A2	Electromagnetic Compatibility Requirements For Household Appliances, Electric Tools And Similar Apparatus Part 1: Emission																						
CISPR 14-2:2015Ed.2	Electromagnetic Compatibility - Requirements For Household Appliances, Electric Tools And Similar Apparatus - Part 2: Immunity - Product Family Standard																						
IEC 61000-3-2:2014 Ed.4	Electromagnetic Compatibility (EMC) - Part 3-2: Limits - Limits for Harmonic Current Emissions (Equipment Input Current <= 16 A per Phase)																						
IEC 61000-3-3:2013 Ed.3	Electromagnetic Compatibility (EMC) - Part 3-3: Limits - Limitation of Voltage Changes, Fluctuations and Flicker in Public Low-Voltage Supply Systems for Equipment with Rated Current <=16A Per Phase and not Subject to Conditional Connection																						
FCC 47CFR: (Part 15 Subpart B) Title 47 CFR Part 15 Subpart B	Unintentional Radiators																						
FCC 47CFR PT 15 SPT B Issued: 2013/01/28 Title 47 CFR Part 15 Subpart B:	Unintentional Radiators																						
IEC 62368-1:2014 Ed.2 +C1	Audio/Video, Information And Communication Technology Equipment - Part 1: Safety Requirements																						
ISO 7779 Issued:1999/08/01	Acoustics - Measurement of Airborne Noise Emitted by Information Technology and Telecommunications Equipment-Second Edition; Amendment 1: 3/01/2003																						
7.0	Approval	I, the undersigned, hereby declare that the equipment specified above conforms to the above Directive(s) and Standard(s).																					
		<table border="1"> <tr> <td>Place of issue</td> <td>Moorestown, NJ, USA</td> </tr> <tr> <td>Date of issue</td> <td>Mar 19, 2019</td> </tr> <tr> <td>Authorized</td> <td>Scott Maurer, </td> </tr> <tr> <td>Title</td> <td>President, International Division</td> </tr> </table>	Place of issue	Moorestown, NJ, USA	Date of issue	Mar 19, 2019	Authorized	Scott Maurer, 	Title	President, International Division													
Place of issue	Moorestown, NJ, USA																						
Date of issue	Mar 19, 2019																						
Authorized	Scott Maurer, 																						
Title	President, International Division																						
Drawing: 92701xx-DoC-FR		Revision: 0.1																					




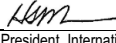
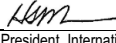
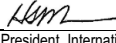
## 0.4. EC Declaration of Conformity Germany: GR

		<b>EU Declaration of Conformity</b> <b>OM210</b> This declaration of conformity is issued under the sole responsibility of the manufacturer.																				
1.0	Manufacturer	<table border="1"> <tr> <td>NAME</td> <td>OPEX Corporation</td> </tr> <tr> <td>ADDRESS</td> <td>305 Commerce Drive, Moorestown, NJ 08057, USA</td> </tr> </table>	NAME	OPEX Corporation	ADDRESS	305 Commerce Drive, Moorestown, NJ 08057, USA																
NAME	OPEX Corporation																					
ADDRESS	305 Commerce Drive, Moorestown, NJ 08057, USA																					
2.0	Technical File	Technical documentation is compiled in accordance with Part B of Annex VII of the machinery directive. This documentation is available on a reasoned request by appropriate national authority to our authorized representative: <table border="1"> <tr> <td>NAME</td> <td>OPEX Corporation</td> </tr> <tr> <td>ADDRESS</td> <td>Auf der Lug 8 71726 Benningen am Neckar Germany</td> </tr> </table>	NAME	OPEX Corporation	ADDRESS	Auf der Lug 8 71726 Benningen am Neckar Germany																
NAME	OPEX Corporation																					
ADDRESS	Auf der Lug 8 71726 Benningen am Neckar Germany																					
3.0	Description and identification	<table border="1"> <tr> <td>Description</td> <td>Envelope Opener</td> </tr> <tr> <td>Model</td> <td>OM210</td> </tr> <tr> <td>Serial Number</td> <td></td> </tr> <tr> <td>Year Manufactured</td> <td>From 2019</td> </tr> </table>	Description	Envelope Opener	Model	OM210	Serial Number		Year Manufactured	From 2019												
Description	Envelope Opener																					
Model	OM210																					
Serial Number																						
Year Manufactured	From 2019																					
4.0	Directives	<table border="1"> <tr> <td>2014/35/EU</td> <td>Low Voltage Directive</td> </tr> <tr> <td>2014/30/EU</td> <td>Electromagnetic Compatibility Directive</td> </tr> <tr> <td>2011/65/EU</td> <td>RoHS 2 Directive</td> </tr> <tr> <td>2015/863/EU</td> <td>RoHS 3 amendment</td> </tr> </table>	2014/35/EU	Low Voltage Directive	2014/30/EU	Electromagnetic Compatibility Directive	2011/65/EU	RoHS 2 Directive	2015/863/EU	RoHS 3 amendment												
2014/35/EU	Low Voltage Directive																					
2014/30/EU	Electromagnetic Compatibility Directive																					
2011/65/EU	RoHS 2 Directive																					
2015/863/EU	RoHS 3 amendment																					
5.0	Harmonized Standards used	<table border="1"> <tr> <td>CISPR 14-1 Ed 5.2:2011</td> <td>Radiated Emissions</td> </tr> <tr> <td>CISPR 14-1 Ed 5.2:2011</td> <td>AC Mains Conducted Emissions</td> </tr> <tr> <td>IEC 61000-3-2:2014</td> <td>Harmonics</td> </tr> <tr> <td>IEC 61000-3-3:2013</td> <td>Flicker</td> </tr> <tr> <td>IEC 61000-4-2:2008</td> <td>Electro-Static Discharge Immunity Test</td> </tr> <tr> <td>IEC 61000-4-3:2006, IEC 61000-4-3:2006/AMD1:2007 IEC 61000-4-3:2006/AMD2:2010</td> <td>Radiated, Radio-Frequency, Electromagnetic Immunity</td> </tr> <tr> <td>IEC 61000-4-4:2012</td> <td>Electrical Fast Transient/Burst Immunity Test</td> </tr> <tr> <td>IEC 61000-4-5:2014</td> <td>Immunity to Surges</td> </tr> <tr> <td>IEC 61000-4-6:2013</td> <td>Conducted, Radio-Frequency, Electromagnetic Immunity Test</td> </tr> <tr> <td>IEC 61000-4-11:2004</td> <td>Voltage Dips/Interruptions Immunity Test</td> </tr> </table>	CISPR 14-1 Ed 5.2:2011	Radiated Emissions	CISPR 14-1 Ed 5.2:2011	AC Mains Conducted Emissions	IEC 61000-3-2:2014	Harmonics	IEC 61000-3-3:2013	Flicker	IEC 61000-4-2:2008	Electro-Static Discharge Immunity Test	IEC 61000-4-3:2006, IEC 61000-4-3:2006/AMD1:2007 IEC 61000-4-3:2006/AMD2:2010	Radiated, Radio-Frequency, Electromagnetic Immunity	IEC 61000-4-4:2012	Electrical Fast Transient/Burst Immunity Test	IEC 61000-4-5:2014	Immunity to Surges	IEC 61000-4-6:2013	Conducted, Radio-Frequency, Electromagnetic Immunity Test	IEC 61000-4-11:2004	Voltage Dips/Interruptions Immunity Test
CISPR 14-1 Ed 5.2:2011	Radiated Emissions																					
CISPR 14-1 Ed 5.2:2011	AC Mains Conducted Emissions																					
IEC 61000-3-2:2014	Harmonics																					
IEC 61000-3-3:2013	Flicker																					
IEC 61000-4-2:2008	Electro-Static Discharge Immunity Test																					
IEC 61000-4-3:2006, IEC 61000-4-3:2006/AMD1:2007 IEC 61000-4-3:2006/AMD2:2010	Radiated, Radio-Frequency, Electromagnetic Immunity																					
IEC 61000-4-4:2012	Electrical Fast Transient/Burst Immunity Test																					
IEC 61000-4-5:2014	Immunity to Surges																					
IEC 61000-4-6:2013	Conducted, Radio-Frequency, Electromagnetic Immunity Test																					
IEC 61000-4-11:2004	Voltage Dips/Interruptions Immunity Test																					
6.0	Technical Standards used	<table border="1"> <tr> <td>CISPR 14-1:2005Ed.5+A1;C1;A2</td> <td>Electromagnetic Compatibility Requirements For Household Appliances, Electric Tools And Similar Apparatus Part 1: Emission</td> </tr> <tr> <td>CISPR 14-2:2015Ed.2</td> <td>Electromagnetic Compatibility - Requirements For Household Appliances, Electric Tools And Similar Apparatus - Part 2: Immunity - Product Family Standard</td> </tr> <tr> <td>IEC 61000-3-2:2014 Ed.4</td> <td>Electromagnetic Compatibility (EMC) - Part 3-2: Limits - Limits for Harmonic Current Emissions (Equipment Input Current &lt;= 16 A per Phase)</td> </tr> <tr> <td>IEC 61000-3-3:2013 Ed.3</td> <td>Electromagnetic Compatibility (EMC) - Part 3-3: Limits - Limitation of Voltage Changes, Fluctuations and Flicker in Public Low-Voltage Supply Systems for Equipment with Rated Current &lt;=16A Per Phase and not Subject to Conditional Connection</td> </tr> <tr> <td>FCC 47CFR: (Part 15 Subpart B) Title 47 CFR Part 15 Subpart B</td> <td>Unintentional Radiators</td> </tr> <tr> <td>FCC 47CFR PT 15 SPT B Issued: 2013/01/28 Title 47 CFR Part 15 Subpart B:</td> <td>Unintentional Radiators</td> </tr> <tr> <td>IEC 62368-1:2014 Ed.2 +C1</td> <td>Audio/Video, Information And Communication Technology Equipment - Part 1: Safety Requirements</td> </tr> <tr> <td>ISO 7779 Issued:1999/08/01</td> <td>Acoustics - Measurement of Airborne Noise Emitted by Information Technology and Telecommunications Equipment-Second Edition; Amendment 1: 3/01/2003</td> </tr> </table>	CISPR 14-1:2005Ed.5+A1;C1;A2	Electromagnetic Compatibility Requirements For Household Appliances, Electric Tools And Similar Apparatus Part 1: Emission	CISPR 14-2:2015Ed.2	Electromagnetic Compatibility - Requirements For Household Appliances, Electric Tools And Similar Apparatus - Part 2: Immunity - Product Family Standard	IEC 61000-3-2:2014 Ed.4	Electromagnetic Compatibility (EMC) - Part 3-2: Limits - Limits for Harmonic Current Emissions (Equipment Input Current <= 16 A per Phase)	IEC 61000-3-3:2013 Ed.3	Electromagnetic Compatibility (EMC) - Part 3-3: Limits - Limitation of Voltage Changes, Fluctuations and Flicker in Public Low-Voltage Supply Systems for Equipment with Rated Current <=16A Per Phase and not Subject to Conditional Connection	FCC 47CFR: (Part 15 Subpart B) Title 47 CFR Part 15 Subpart B	Unintentional Radiators	FCC 47CFR PT 15 SPT B Issued: 2013/01/28 Title 47 CFR Part 15 Subpart B:	Unintentional Radiators	IEC 62368-1:2014 Ed.2 +C1	Audio/Video, Information And Communication Technology Equipment - Part 1: Safety Requirements	ISO 7779 Issued:1999/08/01	Acoustics - Measurement of Airborne Noise Emitted by Information Technology and Telecommunications Equipment-Second Edition; Amendment 1: 3/01/2003				
CISPR 14-1:2005Ed.5+A1;C1;A2	Electromagnetic Compatibility Requirements For Household Appliances, Electric Tools And Similar Apparatus Part 1: Emission																					
CISPR 14-2:2015Ed.2	Electromagnetic Compatibility - Requirements For Household Appliances, Electric Tools And Similar Apparatus - Part 2: Immunity - Product Family Standard																					
IEC 61000-3-2:2014 Ed.4	Electromagnetic Compatibility (EMC) - Part 3-2: Limits - Limits for Harmonic Current Emissions (Equipment Input Current <= 16 A per Phase)																					
IEC 61000-3-3:2013 Ed.3	Electromagnetic Compatibility (EMC) - Part 3-3: Limits - Limitation of Voltage Changes, Fluctuations and Flicker in Public Low-Voltage Supply Systems for Equipment with Rated Current <=16A Per Phase and not Subject to Conditional Connection																					
FCC 47CFR: (Part 15 Subpart B) Title 47 CFR Part 15 Subpart B	Unintentional Radiators																					
FCC 47CFR PT 15 SPT B Issued: 2013/01/28 Title 47 CFR Part 15 Subpart B:	Unintentional Radiators																					
IEC 62368-1:2014 Ed.2 +C1	Audio/Video, Information And Communication Technology Equipment - Part 1: Safety Requirements																					
ISO 7779 Issued:1999/08/01	Acoustics - Measurement of Airborne Noise Emitted by Information Technology and Telecommunications Equipment-Second Edition; Amendment 1: 3/01/2003																					
7.0	Approval	I, the undersigned, hereby declare that the equipment specified above conforms to the above Directive(s) and Standard(s). <table border="1"> <tr> <td>Place of issue</td> <td>Moorestown, NJ, USA</td> </tr> <tr> <td>Date of issue</td> <td>Mar 19, 2019</td> </tr> <tr> <td>Authorized</td> <td>Scott Maurer, </td> </tr> <tr> <td>Title</td> <td>President, International Division</td> </tr> </table>	Place of issue	Moorestown, NJ, USA	Date of issue	Mar 19, 2019	Authorized	Scott Maurer, 	Title	President, International Division												
Place of issue	Moorestown, NJ, USA																					
Date of issue	Mar 19, 2019																					
Authorized	Scott Maurer, 																					
Title	President, International Division																					
Drawing: 92701xx-DoC-GR		Revision: 0.1																				


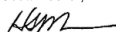
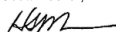
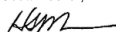
# 0.5. EC Declaration of Conformity Republic of Ireland: IR

		<b>EU Declaration of Conformity</b> <b>OM210</b> This declaration of conformity is issued under the sole responsibility of the manufacturer.																				
1.0	Manufacturer	<table border="1"> <tr> <td>NAME</td> <td>OPEX Corporation</td> </tr> <tr> <td>ADDRESS</td> <td>305 Commerce Drive, Moorestown, NJ 08057, USA</td> </tr> </table>	NAME	OPEX Corporation	ADDRESS	305 Commerce Drive, Moorestown, NJ 08057, USA																
NAME	OPEX Corporation																					
ADDRESS	305 Commerce Drive, Moorestown, NJ 08057, USA																					
2.0	Technical File	Technical documentation is compiled in accordance with Part B of Annex VII of the machinery directive. This documentation is available on a reasoned request by appropriate national authority to our authorized representative: <table border="1"> <tr> <td>NAME</td> <td>OPEX Business Machines GmbH</td> </tr> <tr> <td>ADDRESS</td> <td>104 Lower Baggot Street Dublin 2 Republic of Ireland</td> </tr> </table>	NAME	OPEX Business Machines GmbH	ADDRESS	104 Lower Baggot Street Dublin 2 Republic of Ireland																
NAME	OPEX Business Machines GmbH																					
ADDRESS	104 Lower Baggot Street Dublin 2 Republic of Ireland																					
3.0	Description and identification	<table border="1"> <tr> <td>Description</td> <td>Envelope Opener</td> </tr> <tr> <td>Model</td> <td>OM210</td> </tr> <tr> <td>Serial Number</td> <td></td> </tr> <tr> <td>Year Manufactured</td> <td>From 2019</td> </tr> </table>	Description	Envelope Opener	Model	OM210	Serial Number		Year Manufactured	From 2019												
Description	Envelope Opener																					
Model	OM210																					
Serial Number																						
Year Manufactured	From 2019																					
4.0	Directives	<table border="1"> <tr> <td>2014/35/EU</td> <td>Low Voltage Directive</td> </tr> <tr> <td>2014/30/EU</td> <td>Electromagnetic Compatibility Directive</td> </tr> <tr> <td>2011/65/EU</td> <td>RoHS 2 Directive</td> </tr> <tr> <td>2015/863/EU</td> <td>RoHS 3 amendment</td> </tr> </table>	2014/35/EU	Low Voltage Directive	2014/30/EU	Electromagnetic Compatibility Directive	2011/65/EU	RoHS 2 Directive	2015/863/EU	RoHS 3 amendment												
2014/35/EU	Low Voltage Directive																					
2014/30/EU	Electromagnetic Compatibility Directive																					
2011/65/EU	RoHS 2 Directive																					
2015/863/EU	RoHS 3 amendment																					
5.0	Harmonized Standards used	<table border="1"> <tr> <td>CISPR 14-1 Ed 5.2:2011</td> <td>Radiated Emissions</td> </tr> <tr> <td>CISPR 14-1 Ed 5.2:2011</td> <td>AC Mains Conducted Emissions</td> </tr> <tr> <td>IEC 61000-3-2:2014</td> <td>Harmonics</td> </tr> <tr> <td>IEC 61000-3-3:2013</td> <td>Flicker</td> </tr> <tr> <td>IEC 61000-4-2:2008</td> <td>Electro-Static Discharge Immunity Test</td> </tr> <tr> <td>IEC 61000-4-3:2006, IEC 61000-4-3:2006/AMD1:2007 IEC 61000-4-3:2006/AMD2:2010</td> <td>Radiated, Radio-Frequency, Electromagnetic Immunity</td> </tr> <tr> <td>IEC 61000-4-4:2012</td> <td>Electrical Fast Transient/Burst Immunity Test</td> </tr> <tr> <td>IEC 61000-4-5:2014</td> <td>Immunity to Surges</td> </tr> <tr> <td>IEC 61000-4-6:2013</td> <td>Conducted, Radio-Frequency, Electromagnetic Immunity Test</td> </tr> <tr> <td>IEC 61000-4-11:2004</td> <td>Voltage Dips/Interruptions Immunity Test</td> </tr> </table>	CISPR 14-1 Ed 5.2:2011	Radiated Emissions	CISPR 14-1 Ed 5.2:2011	AC Mains Conducted Emissions	IEC 61000-3-2:2014	Harmonics	IEC 61000-3-3:2013	Flicker	IEC 61000-4-2:2008	Electro-Static Discharge Immunity Test	IEC 61000-4-3:2006, IEC 61000-4-3:2006/AMD1:2007 IEC 61000-4-3:2006/AMD2:2010	Radiated, Radio-Frequency, Electromagnetic Immunity	IEC 61000-4-4:2012	Electrical Fast Transient/Burst Immunity Test	IEC 61000-4-5:2014	Immunity to Surges	IEC 61000-4-6:2013	Conducted, Radio-Frequency, Electromagnetic Immunity Test	IEC 61000-4-11:2004	Voltage Dips/Interruptions Immunity Test
CISPR 14-1 Ed 5.2:2011	Radiated Emissions																					
CISPR 14-1 Ed 5.2:2011	AC Mains Conducted Emissions																					
IEC 61000-3-2:2014	Harmonics																					
IEC 61000-3-3:2013	Flicker																					
IEC 61000-4-2:2008	Electro-Static Discharge Immunity Test																					
IEC 61000-4-3:2006, IEC 61000-4-3:2006/AMD1:2007 IEC 61000-4-3:2006/AMD2:2010	Radiated, Radio-Frequency, Electromagnetic Immunity																					
IEC 61000-4-4:2012	Electrical Fast Transient/Burst Immunity Test																					
IEC 61000-4-5:2014	Immunity to Surges																					
IEC 61000-4-6:2013	Conducted, Radio-Frequency, Electromagnetic Immunity Test																					
IEC 61000-4-11:2004	Voltage Dips/Interruptions Immunity Test																					
6.0	Technical Standards used	<table border="1"> <tr> <td>CISPR 14-1:2005Ed.5+A1;C1;A2</td> <td>Electromagnetic Compatibility Requirements For Household Appliances, Electric Tools And Similar Apparatus Part 1: Emission</td> </tr> <tr> <td>CISPR 14-2:2015Ed.2</td> <td>Electromagnetic Compatibility - Requirements For Household Appliances, Electric Tools And Similar Apparatus - Part 2: Immunity - Product Family Standard</td> </tr> <tr> <td>IEC 61000-3-2:2014 Ed.4</td> <td>Electromagnetic Compatibility (EMC) - Part 3-2: Limits - Limits for Harmonic Current Emissions (Equipment Input Current &lt;= 16 A per Phase)</td> </tr> <tr> <td>IEC 61000-3-3:2013 Ed.3</td> <td>Electromagnetic Compatibility (EMC) - Part 3-3: Limits - Limitation of Voltage Changes, Fluctuations and Flicker in Public Low-Voltage Supply Systems for Equipment with Rated Current &lt;=16A Per Phase and not Subject to Conditional Connection</td> </tr> <tr> <td>FCC 47CFR: (Part 15 Subpart B) Title 47 CFR Part 15 Subpart B</td> <td>Unintentional Radiators</td> </tr> <tr> <td>FCC 47CFR PT 15 SPT B Issued: 2013/01/28 Title 47 CFR Part 15 Subpart B:</td> <td>Unintentional Radiators</td> </tr> <tr> <td>IEC 62368-1:2014 Ed.2 +C1</td> <td>Audio/Video, Information And Communication Technology Equipment - Part 1: Safety Requirements</td> </tr> <tr> <td>ISO 7779 Issued:1999/08/01</td> <td>Acoustics - Measurement of Airborne Noise Emitted by Information Technology and Telecommunications Equipment-Second Edition; Amendment 1: 3/01/2003</td> </tr> </table>	CISPR 14-1:2005Ed.5+A1;C1;A2	Electromagnetic Compatibility Requirements For Household Appliances, Electric Tools And Similar Apparatus Part 1: Emission	CISPR 14-2:2015Ed.2	Electromagnetic Compatibility - Requirements For Household Appliances, Electric Tools And Similar Apparatus - Part 2: Immunity - Product Family Standard	IEC 61000-3-2:2014 Ed.4	Electromagnetic Compatibility (EMC) - Part 3-2: Limits - Limits for Harmonic Current Emissions (Equipment Input Current <= 16 A per Phase)	IEC 61000-3-3:2013 Ed.3	Electromagnetic Compatibility (EMC) - Part 3-3: Limits - Limitation of Voltage Changes, Fluctuations and Flicker in Public Low-Voltage Supply Systems for Equipment with Rated Current <=16A Per Phase and not Subject to Conditional Connection	FCC 47CFR: (Part 15 Subpart B) Title 47 CFR Part 15 Subpart B	Unintentional Radiators	FCC 47CFR PT 15 SPT B Issued: 2013/01/28 Title 47 CFR Part 15 Subpart B:	Unintentional Radiators	IEC 62368-1:2014 Ed.2 +C1	Audio/Video, Information And Communication Technology Equipment - Part 1: Safety Requirements	ISO 7779 Issued:1999/08/01	Acoustics - Measurement of Airborne Noise Emitted by Information Technology and Telecommunications Equipment-Second Edition; Amendment 1: 3/01/2003				
CISPR 14-1:2005Ed.5+A1;C1;A2	Electromagnetic Compatibility Requirements For Household Appliances, Electric Tools And Similar Apparatus Part 1: Emission																					
CISPR 14-2:2015Ed.2	Electromagnetic Compatibility - Requirements For Household Appliances, Electric Tools And Similar Apparatus - Part 2: Immunity - Product Family Standard																					
IEC 61000-3-2:2014 Ed.4	Electromagnetic Compatibility (EMC) - Part 3-2: Limits - Limits for Harmonic Current Emissions (Equipment Input Current <= 16 A per Phase)																					
IEC 61000-3-3:2013 Ed.3	Electromagnetic Compatibility (EMC) - Part 3-3: Limits - Limitation of Voltage Changes, Fluctuations and Flicker in Public Low-Voltage Supply Systems for Equipment with Rated Current <=16A Per Phase and not Subject to Conditional Connection																					
FCC 47CFR: (Part 15 Subpart B) Title 47 CFR Part 15 Subpart B	Unintentional Radiators																					
FCC 47CFR PT 15 SPT B Issued: 2013/01/28 Title 47 CFR Part 15 Subpart B:	Unintentional Radiators																					
IEC 62368-1:2014 Ed.2 +C1	Audio/Video, Information And Communication Technology Equipment - Part 1: Safety Requirements																					
ISO 7779 Issued:1999/08/01	Acoustics - Measurement of Airborne Noise Emitted by Information Technology and Telecommunications Equipment-Second Edition; Amendment 1: 3/01/2003																					
7.0	Approval	I, the undersigned, hereby declare that the equipment specified above conforms to the above Directive(s) and Standard(s). <table border="1"> <tr> <td>Place of issue</td> <td>Moorestown, NJ, USA</td> </tr> <tr> <td>Date of issue</td> <td>Mar 19, 2019</td> </tr> <tr> <td>Authorized</td> <td>Scott Maurer, </td> </tr> <tr> <td>Title</td> <td>President, International Division</td> </tr> </table>	Place of issue	Moorestown, NJ, USA	Date of issue	Mar 19, 2019	Authorized	Scott Maurer, 	Title	President, International Division												
Place of issue	Moorestown, NJ, USA																					
Date of issue	Mar 19, 2019																					
Authorized	Scott Maurer, 																					
Title	President, International Division																					
Drawing: 92701xx-DoC-IR		Revision: 0.1																				

## 0.6. EC Declaration of Conformity Switzerland: SW

		<b>EU Declaration of Conformity</b> <b>OM210</b> This declaration of conformity is issued under the sole responsibility of the manufacturer.																				
1.0	Manufacturer	<table border="1"> <tr> <td>NAME</td> <td>OPEX Corporation</td> </tr> <tr> <td>ADDRESS</td> <td>305 Commerce Drive, Moorestown, NJ 08057, USA</td> </tr> </table>	NAME	OPEX Corporation	ADDRESS	305 Commerce Drive, Moorestown, NJ 08057, USA																
NAME	OPEX Corporation																					
ADDRESS	305 Commerce Drive, Moorestown, NJ 08057, USA																					
2.0	Technical File	Technical documentation is compiled in accordance with Part B of Annex VII of the machinery directive. This documentation is available on a reasoned request by appropriate national authority to our authorized representative: <table border="1"> <tr> <td>NAME</td> <td>OPEX Business Machines GmbH</td> </tr> <tr> <td>ADDRESS</td> <td>Pilatusstrasse 41 6003 Luzern Switzerland</td> </tr> </table>	NAME	OPEX Business Machines GmbH	ADDRESS	Pilatusstrasse 41 6003 Luzern Switzerland																
NAME	OPEX Business Machines GmbH																					
ADDRESS	Pilatusstrasse 41 6003 Luzern Switzerland																					
3.0	Description and identification	<table border="1"> <tr> <td>Description</td> <td>Envelope Opener</td> </tr> <tr> <td>Model</td> <td>OM210</td> </tr> <tr> <td>Serial Number</td> <td></td> </tr> <tr> <td>Year Manufactured</td> <td>From 2019</td> </tr> </table>	Description	Envelope Opener	Model	OM210	Serial Number		Year Manufactured	From 2019												
Description	Envelope Opener																					
Model	OM210																					
Serial Number																						
Year Manufactured	From 2019																					
4.0	Directives	<table border="1"> <tr> <td>2014/35/EU</td> <td>Low Voltage Directive</td> </tr> <tr> <td>2014/30/EU</td> <td>Electromagnetic Compatibility Directive</td> </tr> <tr> <td>2011/65/EU</td> <td>RoHS 2 Directive</td> </tr> <tr> <td>2015/863/EU</td> <td>RoHS 3 amendment</td> </tr> </table>	2014/35/EU	Low Voltage Directive	2014/30/EU	Electromagnetic Compatibility Directive	2011/65/EU	RoHS 2 Directive	2015/863/EU	RoHS 3 amendment												
2014/35/EU	Low Voltage Directive																					
2014/30/EU	Electromagnetic Compatibility Directive																					
2011/65/EU	RoHS 2 Directive																					
2015/863/EU	RoHS 3 amendment																					
5.0	Harmonized Standards used	<table border="1"> <tr> <td>CISPR 14-1 Ed 5.2:2011</td> <td>Radiated Emissions</td> </tr> <tr> <td>CISPR 14-1 Ed 5.2:2011</td> <td>AC Mains Conducted Emissions</td> </tr> <tr> <td>IEC 61000-3-2:2014</td> <td>Harmonics</td> </tr> <tr> <td>IEC 61000-3-3:2013</td> <td>Flicker</td> </tr> <tr> <td>IEC 61000-4-2:2008</td> <td>Electro-Static Discharge Immunity Test</td> </tr> <tr> <td>IEC 61000-4-3:2006, IEC 61000-4-3:2006/AMD1:2007 IEC 61000-4-3:2006/AMD2:2010</td> <td>Radiated, Radio-Frequency, Electromagnetic Immunity</td> </tr> <tr> <td>IEC 61000-4-4:2012</td> <td>Electrical Fast Transient/Burst Immunity Test</td> </tr> <tr> <td>IEC 61000-4-5:2014</td> <td>Immunity to Surges</td> </tr> <tr> <td>IEC 61000-4-6:2013</td> <td>Conducted, Radio-Frequency, Electromagnetic Immunity Test</td> </tr> <tr> <td>IEC 61000-4-11:2004</td> <td>Voltage Dips/Interruptions Immunity Test</td> </tr> </table>	CISPR 14-1 Ed 5.2:2011	Radiated Emissions	CISPR 14-1 Ed 5.2:2011	AC Mains Conducted Emissions	IEC 61000-3-2:2014	Harmonics	IEC 61000-3-3:2013	Flicker	IEC 61000-4-2:2008	Electro-Static Discharge Immunity Test	IEC 61000-4-3:2006, IEC 61000-4-3:2006/AMD1:2007 IEC 61000-4-3:2006/AMD2:2010	Radiated, Radio-Frequency, Electromagnetic Immunity	IEC 61000-4-4:2012	Electrical Fast Transient/Burst Immunity Test	IEC 61000-4-5:2014	Immunity to Surges	IEC 61000-4-6:2013	Conducted, Radio-Frequency, Electromagnetic Immunity Test	IEC 61000-4-11:2004	Voltage Dips/Interruptions Immunity Test
CISPR 14-1 Ed 5.2:2011	Radiated Emissions																					
CISPR 14-1 Ed 5.2:2011	AC Mains Conducted Emissions																					
IEC 61000-3-2:2014	Harmonics																					
IEC 61000-3-3:2013	Flicker																					
IEC 61000-4-2:2008	Electro-Static Discharge Immunity Test																					
IEC 61000-4-3:2006, IEC 61000-4-3:2006/AMD1:2007 IEC 61000-4-3:2006/AMD2:2010	Radiated, Radio-Frequency, Electromagnetic Immunity																					
IEC 61000-4-4:2012	Electrical Fast Transient/Burst Immunity Test																					
IEC 61000-4-5:2014	Immunity to Surges																					
IEC 61000-4-6:2013	Conducted, Radio-Frequency, Electromagnetic Immunity Test																					
IEC 61000-4-11:2004	Voltage Dips/Interruptions Immunity Test																					
6.0	Technical Standards used	<table border="1"> <tr> <td>CISPR 14-1:2005Ed.5+A1;C1;A2</td> <td>Electromagnetic Compatibility Requirements For Household Appliances, Electric Tools And Similar Apparatus Part 1: Emission</td> </tr> <tr> <td>CISPR 14-2:2015Ed.2</td> <td>Electromagnetic Compatibility - Requirements For Household Appliances, Electric Tools And Similar Apparatus - Part 2: Immunity - Product Family Standard</td> </tr> <tr> <td>IEC 61000-3-2:2014 Ed.4</td> <td>Electromagnetic Compatibility (EMC) - Part 3-2: Limits - Limits for Harmonic Current Emissions (Equipment Input Current &lt;= 16 A per Phase)</td> </tr> <tr> <td>IEC 61000-3-3:2013 Ed.3</td> <td>Electromagnetic Compatibility (EMC) - Part 3-3: Limits - Limitation of Voltage Changes, Fluctuations and Flicker in Public Low-Voltage Supply Systems for Equipment with Rated Current &lt;=16A Per Phase and not Subject to Conditional Connection</td> </tr> <tr> <td>FCC 47CFR: (Part 15 Subpart B) Title 47 CFR Part 15 Subpart B</td> <td>Unintentional Radiators</td> </tr> <tr> <td>FCC 47CFR PT 15 SPT B Issued: 2013/01/28 Title 47 CFR Part 15 Subpart B:</td> <td>Unintentional Radiators</td> </tr> <tr> <td>IEC 62368-1:2014 Ed.2 +C1</td> <td>Audio/Video, Information And Communication Technology Equipment - Part 1: Safety Requirements</td> </tr> <tr> <td>ISO 7779 Issued:1999/08/01</td> <td>Acoustics - Measurement of Airborne Noise Emitted by Information Technology and Telecommunications Equipment-Second Edition; Amendment 1: 3/01/2003</td> </tr> </table>	CISPR 14-1:2005Ed.5+A1;C1;A2	Electromagnetic Compatibility Requirements For Household Appliances, Electric Tools And Similar Apparatus Part 1: Emission	CISPR 14-2:2015Ed.2	Electromagnetic Compatibility - Requirements For Household Appliances, Electric Tools And Similar Apparatus - Part 2: Immunity - Product Family Standard	IEC 61000-3-2:2014 Ed.4	Electromagnetic Compatibility (EMC) - Part 3-2: Limits - Limits for Harmonic Current Emissions (Equipment Input Current <= 16 A per Phase)	IEC 61000-3-3:2013 Ed.3	Electromagnetic Compatibility (EMC) - Part 3-3: Limits - Limitation of Voltage Changes, Fluctuations and Flicker in Public Low-Voltage Supply Systems for Equipment with Rated Current <=16A Per Phase and not Subject to Conditional Connection	FCC 47CFR: (Part 15 Subpart B) Title 47 CFR Part 15 Subpart B	Unintentional Radiators	FCC 47CFR PT 15 SPT B Issued: 2013/01/28 Title 47 CFR Part 15 Subpart B:	Unintentional Radiators	IEC 62368-1:2014 Ed.2 +C1	Audio/Video, Information And Communication Technology Equipment - Part 1: Safety Requirements	ISO 7779 Issued:1999/08/01	Acoustics - Measurement of Airborne Noise Emitted by Information Technology and Telecommunications Equipment-Second Edition; Amendment 1: 3/01/2003				
CISPR 14-1:2005Ed.5+A1;C1;A2	Electromagnetic Compatibility Requirements For Household Appliances, Electric Tools And Similar Apparatus Part 1: Emission																					
CISPR 14-2:2015Ed.2	Electromagnetic Compatibility - Requirements For Household Appliances, Electric Tools And Similar Apparatus - Part 2: Immunity - Product Family Standard																					
IEC 61000-3-2:2014 Ed.4	Electromagnetic Compatibility (EMC) - Part 3-2: Limits - Limits for Harmonic Current Emissions (Equipment Input Current <= 16 A per Phase)																					
IEC 61000-3-3:2013 Ed.3	Electromagnetic Compatibility (EMC) - Part 3-3: Limits - Limitation of Voltage Changes, Fluctuations and Flicker in Public Low-Voltage Supply Systems for Equipment with Rated Current <=16A Per Phase and not Subject to Conditional Connection																					
FCC 47CFR: (Part 15 Subpart B) Title 47 CFR Part 15 Subpart B	Unintentional Radiators																					
FCC 47CFR PT 15 SPT B Issued: 2013/01/28 Title 47 CFR Part 15 Subpart B:	Unintentional Radiators																					
IEC 62368-1:2014 Ed.2 +C1	Audio/Video, Information And Communication Technology Equipment - Part 1: Safety Requirements																					
ISO 7779 Issued:1999/08/01	Acoustics - Measurement of Airborne Noise Emitted by Information Technology and Telecommunications Equipment-Second Edition; Amendment 1: 3/01/2003																					
7.0	Approval	I, the undersigned, hereby declare that the equipment specified above conforms to the above Directive(s) and Standard(s). <table border="1"> <tr> <td>Place of issue</td> <td>Moorestown, NJ, USA</td> </tr> <tr> <td>Date of issue</td> <td>Mar 19, 2019</td> </tr> <tr> <td>Authorized</td> <td>Scott Maurer, </td> </tr> <tr> <td>Title</td> <td>President, International Division</td> </tr> </table>	Place of issue	Moorestown, NJ, USA	Date of issue	Mar 19, 2019	Authorized	Scott Maurer, 	Title	President, International Division												
Place of issue	Moorestown, NJ, USA																					
Date of issue	Mar 19, 2019																					
Authorized	Scott Maurer, 																					
Title	President, International Division																					
Drawing: 92701xx-DoC-SW		Revision: 0.1																				

# 0.7. EC Declaration of Conformity United Kingdom: UK

		<b>EU Declaration of Conformity</b> <b>OM210</b> This declaration of conformity is issued under the sole responsibility of the manufacturer.																				
1.0	Manufacturer	<table border="1"> <tr> <td>NAME</td> <td>OPEX Corporation</td> </tr> <tr> <td>ADDRESS</td> <td>305 Commerce Drive, Moorestown, NJ 08057, USA</td> </tr> </table>	NAME	OPEX Corporation	ADDRESS	305 Commerce Drive, Moorestown, NJ 08057, USA																
NAME	OPEX Corporation																					
ADDRESS	305 Commerce Drive, Moorestown, NJ 08057, USA																					
2.0	Technical File	Technical documentation is compiled in accordance with Part B of Annex VII of the machinery directive. This documentation is available on a reasoned request by appropriate national authority to our authorized representative: <table border="1"> <tr> <td>NAME</td> <td>OPEX Business Machines GmbH</td> </tr> <tr> <td>ADDRESS</td> <td>29/32 Queensbrook Bolton Technology Exchange Spa Road Bolton, BL1 4AY United Kingdom</td> </tr> </table>	NAME	OPEX Business Machines GmbH	ADDRESS	29/32 Queensbrook Bolton Technology Exchange Spa Road Bolton, BL1 4AY United Kingdom																
NAME	OPEX Business Machines GmbH																					
ADDRESS	29/32 Queensbrook Bolton Technology Exchange Spa Road Bolton, BL1 4AY United Kingdom																					
3.0	Description and identification	<table border="1"> <tr> <td>Description</td> <td>Envelope Opener</td> </tr> <tr> <td>Model</td> <td>OM210</td> </tr> <tr> <td>Serial Number</td> <td></td> </tr> <tr> <td>Year Manufactured</td> <td>From 2019</td> </tr> </table>	Description	Envelope Opener	Model	OM210	Serial Number		Year Manufactured	From 2019												
Description	Envelope Opener																					
Model	OM210																					
Serial Number																						
Year Manufactured	From 2019																					
4.0	Directives	<table border="1"> <tr> <td>2014/35/EU</td> <td>Low Voltage Directive</td> </tr> <tr> <td>2014/30/EU</td> <td>Electromagnetic Compatibility Directive</td> </tr> <tr> <td>2011/65/EU</td> <td>RoHS 2 Directive</td> </tr> <tr> <td>2015/863/EU</td> <td>RoHS 3 amendment</td> </tr> </table>	2014/35/EU	Low Voltage Directive	2014/30/EU	Electromagnetic Compatibility Directive	2011/65/EU	RoHS 2 Directive	2015/863/EU	RoHS 3 amendment												
2014/35/EU	Low Voltage Directive																					
2014/30/EU	Electromagnetic Compatibility Directive																					
2011/65/EU	RoHS 2 Directive																					
2015/863/EU	RoHS 3 amendment																					
5.0	Harmonized Standards used	<table border="1"> <tr> <td>CISPR 14-1 Ed 5.2:2011</td> <td>Radiated Emissions</td> </tr> <tr> <td>CISPR 14-1 Ed 5.2:2011</td> <td>AC Mains Conducted Emissions</td> </tr> <tr> <td>IEC 61000-3-2:2014</td> <td>Harmonics</td> </tr> <tr> <td>IEC 61000-3-3:2013</td> <td>Flicker</td> </tr> <tr> <td>IEC 61000-4-2:2008</td> <td>Electro-Static Discharge Immunity Test</td> </tr> <tr> <td>IEC 61000-4-3:2006, IEC 61000-4-3:2006/AMD1:2007 IEC 61000-4-3:2006/AMD2:2010</td> <td>Radiated, Radio-Frequency, Electromagnetic Immunity</td> </tr> <tr> <td>IEC 61000-4-4:2012</td> <td>Electrical Fast Transient/Burst Immunity Test</td> </tr> <tr> <td>IEC 61000-4-5:2014</td> <td>Immunity to Surges</td> </tr> <tr> <td>IEC 61000-4-6:2013</td> <td>Conducted, Radio-Frequency, Electromagnetic Immunity Test</td> </tr> <tr> <td>IEC 61000-4-11:2004</td> <td>Voltage Dips/Interruptions Immunity Test</td> </tr> </table>	CISPR 14-1 Ed 5.2:2011	Radiated Emissions	CISPR 14-1 Ed 5.2:2011	AC Mains Conducted Emissions	IEC 61000-3-2:2014	Harmonics	IEC 61000-3-3:2013	Flicker	IEC 61000-4-2:2008	Electro-Static Discharge Immunity Test	IEC 61000-4-3:2006, IEC 61000-4-3:2006/AMD1:2007 IEC 61000-4-3:2006/AMD2:2010	Radiated, Radio-Frequency, Electromagnetic Immunity	IEC 61000-4-4:2012	Electrical Fast Transient/Burst Immunity Test	IEC 61000-4-5:2014	Immunity to Surges	IEC 61000-4-6:2013	Conducted, Radio-Frequency, Electromagnetic Immunity Test	IEC 61000-4-11:2004	Voltage Dips/Interruptions Immunity Test
CISPR 14-1 Ed 5.2:2011	Radiated Emissions																					
CISPR 14-1 Ed 5.2:2011	AC Mains Conducted Emissions																					
IEC 61000-3-2:2014	Harmonics																					
IEC 61000-3-3:2013	Flicker																					
IEC 61000-4-2:2008	Electro-Static Discharge Immunity Test																					
IEC 61000-4-3:2006, IEC 61000-4-3:2006/AMD1:2007 IEC 61000-4-3:2006/AMD2:2010	Radiated, Radio-Frequency, Electromagnetic Immunity																					
IEC 61000-4-4:2012	Electrical Fast Transient/Burst Immunity Test																					
IEC 61000-4-5:2014	Immunity to Surges																					
IEC 61000-4-6:2013	Conducted, Radio-Frequency, Electromagnetic Immunity Test																					
IEC 61000-4-11:2004	Voltage Dips/Interruptions Immunity Test																					
6.0	Technical Standards used	<table border="1"> <tr> <td>CISPR 14-1:2005Ed.5+A1;C1;A2</td> <td>Electromagnetic Compatibility Requirements For Household Appliances, Electric Tools And Similar Apparatus Part 1: Emission</td> </tr> <tr> <td>CISPR 14-2:2015Ed.2</td> <td>Electromagnetic Compatibility - Requirements For Household Appliances, Electric Tools And Similar Apparatus - Part 2: Immunity - Product Family Standard</td> </tr> <tr> <td>IEC 61000-3-2:2014 Ed.4</td> <td>Electromagnetic Compatibility (EMC) - Part 3-2: Limits - Limits for Harmonic Current Emissions (Equipment Input Current &lt;= 16 A per Phase)</td> </tr> <tr> <td>IEC 61000-3-3:2013 Ed.3</td> <td>Electromagnetic Compatibility (EMC) - Part 3-3: Limits - Limitation of Voltage Changes, Fluctuations and Flicker in Public Low-Voltage Supply Systems for Equipment with Rated Current &lt;=16A Per Phase and not Subject to Conditional Connection</td> </tr> <tr> <td>FCC 47CFR: (Part 15 Subpart B) Title 47 CFR Part 15 Subpart B</td> <td>Unintentional Radiators</td> </tr> <tr> <td>FCC 47CFR PT 15 SPT B Issued: 2013/01/28 Title 47 CFR Part 15 Subpart B:</td> <td>Unintentional Radiators</td> </tr> <tr> <td>IEC 62368-1:2014 Ed.2 +C1</td> <td>Audio/Video, Information And Communication Technology Equipment - Part 1: Safety Requirements</td> </tr> <tr> <td>ISO 7779 Issued:1999/08/01</td> <td>Acoustics - Measurement of Airborne Noise Emitted by Information Technology and Telecommunications Equipment-Second Edition; Amendment 1: 3/01/2003</td> </tr> </table>	CISPR 14-1:2005Ed.5+A1;C1;A2	Electromagnetic Compatibility Requirements For Household Appliances, Electric Tools And Similar Apparatus Part 1: Emission	CISPR 14-2:2015Ed.2	Electromagnetic Compatibility - Requirements For Household Appliances, Electric Tools And Similar Apparatus - Part 2: Immunity - Product Family Standard	IEC 61000-3-2:2014 Ed.4	Electromagnetic Compatibility (EMC) - Part 3-2: Limits - Limits for Harmonic Current Emissions (Equipment Input Current <= 16 A per Phase)	IEC 61000-3-3:2013 Ed.3	Electromagnetic Compatibility (EMC) - Part 3-3: Limits - Limitation of Voltage Changes, Fluctuations and Flicker in Public Low-Voltage Supply Systems for Equipment with Rated Current <=16A Per Phase and not Subject to Conditional Connection	FCC 47CFR: (Part 15 Subpart B) Title 47 CFR Part 15 Subpart B	Unintentional Radiators	FCC 47CFR PT 15 SPT B Issued: 2013/01/28 Title 47 CFR Part 15 Subpart B:	Unintentional Radiators	IEC 62368-1:2014 Ed.2 +C1	Audio/Video, Information And Communication Technology Equipment - Part 1: Safety Requirements	ISO 7779 Issued:1999/08/01	Acoustics - Measurement of Airborne Noise Emitted by Information Technology and Telecommunications Equipment-Second Edition; Amendment 1: 3/01/2003				
CISPR 14-1:2005Ed.5+A1;C1;A2	Electromagnetic Compatibility Requirements For Household Appliances, Electric Tools And Similar Apparatus Part 1: Emission																					
CISPR 14-2:2015Ed.2	Electromagnetic Compatibility - Requirements For Household Appliances, Electric Tools And Similar Apparatus - Part 2: Immunity - Product Family Standard																					
IEC 61000-3-2:2014 Ed.4	Electromagnetic Compatibility (EMC) - Part 3-2: Limits - Limits for Harmonic Current Emissions (Equipment Input Current <= 16 A per Phase)																					
IEC 61000-3-3:2013 Ed.3	Electromagnetic Compatibility (EMC) - Part 3-3: Limits - Limitation of Voltage Changes, Fluctuations and Flicker in Public Low-Voltage Supply Systems for Equipment with Rated Current <=16A Per Phase and not Subject to Conditional Connection																					
FCC 47CFR: (Part 15 Subpart B) Title 47 CFR Part 15 Subpart B	Unintentional Radiators																					
FCC 47CFR PT 15 SPT B Issued: 2013/01/28 Title 47 CFR Part 15 Subpart B:	Unintentional Radiators																					
IEC 62368-1:2014 Ed.2 +C1	Audio/Video, Information And Communication Technology Equipment - Part 1: Safety Requirements																					
ISO 7779 Issued:1999/08/01	Acoustics - Measurement of Airborne Noise Emitted by Information Technology and Telecommunications Equipment-Second Edition; Amendment 1: 3/01/2003																					
7.0	Approval	I, the undersigned, hereby declare that the equipment specified above conforms to the above Directive(s) and Standard(s). <table border="1"> <tr> <td>Place of issue</td> <td>Moorestown, NJ, USA</td> </tr> <tr> <td>Date of issue</td> <td>Mar 19, 2019</td> </tr> <tr> <td>Authorized</td> <td>Scott Maurer, </td> </tr> <tr> <td>Title</td> <td>President, International Division</td> </tr> </table>	Place of issue	Moorestown, NJ, USA	Date of issue	Mar 19, 2019	Authorized	Scott Maurer, 	Title	President, International Division												
Place of issue	Moorestown, NJ, USA																					
Date of issue	Mar 19, 2019																					
Authorized	Scott Maurer, 																					
Title	President, International Division																					
Drawing: 92701xx-DoC-UK		Revision: 0.1																				

---

---

## 0.8. Document History

---

---

Doc Rev	Date	Changes (click blue text to go to that page)
19-01	Apr 15, 2019	Initial Release CE compliant

---

---

# Table of Contents

---

---

0.1. Contacting OPEX .....	2
0.2. EC Declaration of Conformity Australia: AU .....	3
0.3. EC Declaration of Conformity France: FR .....	4
0.4. EC Declaration of Conformity Germany: GR .....	5
0.5. EC Declaration of Conformity Republic of Ireland: IR .....	6
0.6. EC Declaration of Conformity Switzerland: SW .....	7
0.7. EC Declaration of Conformity United Kingdom: UK .....	8
0.8. Document History .....	9

## Chapter 1

### Introduction

1.1. About This Manual .....	14
1.1.1. Manual navigation aids .....	15
1.1.2. Safety message conventions .....	16

## Chapter 2

### Safety

2.1. Introduction .....	18
2.2. Safety Guidelines .....	19
2.3. Consignes de Sécurité - traduction française .....	21
2.4. Machine Labels .....	23
2.4.1. Feeder Warning Label .....	24
2.4.2. Pinch Point Caution Label .....	25
2.4.3. Chip bin Label .....	26
2.4.4. Disconnect power warning .....	27
2.4.5. Dielectric and ground test label .....	28
2.4.6. FCC Compliance label .....	29
2.4.7. Interlock system .....	30
2.5. General operational safety .....	31
2.6. Ergonomics .....	32

**Chapter 3**

**Overview**

3.1. System Overview ..... 34  
3.2. Equipment Serial Number Locations ..... 36

**Chapter 4**

**Operation**

4.1. Operation ..... 40  
    4.1.1. Order of Operation ..... 40  
    4.1.2. Output tray position ..... 47  
    4.1.3. Clearing jams ..... 50  
4.2. Routine Maintenance ..... 51  
    4.2.1. Cleaning the Series 210 Envelopener® ..... 51  
    4.2.2. Cutter Adjustment ..... 54  
    4.2.3. Resetting the circuit breaker ..... 56

**Chapter 5**

**User Replaceable Parts**

5.1. Overview ..... 60

**Chapter 6**

**Specifications**

**Glossary** ..... 71

G.1. List of Terms ..... 72





# 1. Introduction

<b>1.1. About This Manual</b> .....	<b>14</b>
1.1.1. Manual navigation aids .....	15
1.1.2. Safety message conventions .....	16

---

---

## 1.1. About This Manual

---

---



### WARNING

Read all information thoroughly before attempting to operate this equipment.

This manual contains information about the OPEX Omaton Series 210™ Envelopener® and its operational procedures and safety-related components, including:

- safety information, safety hazards and precautions
- main component identification and function
- system specifications
- minor maintenance and cleaning

This information is intended for use by the main operator of the Omaton Series 210™ Envelopener®. The operator can load envelopes onto the feed hopper, start the machine which will cut open and/or count the envelopes. They can also perform minor maintenance. Note that the operator is not qualified to perform the following duties (additional training is required for these skill levels):

- **Affected Employee** - An employee whose job requires him or her to operate or use a machine or equipment on which the servicing or maintenance is being performed, or whose job requires him/her to work in an area in which such servicing or maintenance is being performed.
- **Authorized Employee** - A person performing service or maintenance on the machine or equipment.

This manual will be updated to reflect equipment design changes, part number changes, or to correct errors (a table detailing the document revision history can be viewed on [page 9](#)). Be sure to retain the latest electronic release of the manual for your reference. The latest release can be downloaded in PDF format at [www.opexservice.com](http://www.opexservice.com) (authorized, registered users only).

## 1.1.1. Manual navigation aids

This manual is designed primarily for use on a tablet device. To improve navigation, the manual contains [blue underlined links](#) you can click on or tap to go directly to a particular page or web address. In addition, all items in the [Table of Contents](#) as well as the bookmarks in the side bar of the PDF file can be clicked or tapped to navigate directly to a particular page. Make sure to use the latest version of Adobe<sup>®</sup> Acrobat Reader<sup>®\*</sup> for optimal performance.

\*Adobe and Acrobat Reader are registered trademarks of Adobe Systems Incorporated.

## 1.1.2. Safety message conventions

This manual uses the following conventions to alert you about safety hazards associated with certain procedures and situations. Please be aware of these conventions when reading the manual and operating the equipment:



### **DANGER**

Indicates a hazardous situation that, if not avoided, will result in death or severe injury. The use of this signal word is limited to the most extreme situations.



### **WARNING**

Indicates a hazardous situation that, if not avoided, could result in death or serious injury.



### **CAUTION**

Indicates a hazardous situation that, if not avoided, could result in minor or moderate injury.

### **NOTICE**

Indicates information considered important, but not hazard related (e.g. messages relating to property damage).

See important safety information in [Chapter 2: "Safety"](#).

# 2. Safety

<b>2.1. Introduction</b> .....	<b>18</b>
<b>2.2. Safety Guidelines</b> .....	<b>19</b>
<b>2.3. Consignes de Sécurité - traduction française</b> .....	<b>21</b>
<b>2.4. Machine Labels</b> .....	<b>23</b>
2.4.1. Feeder Warning Label .....	24
2.4.2. Pinch Point Caution Label .....	25
2.4.3. Chip bin Label .....	26
2.4.4. Disconnect power warning .....	27
2.4.5. Dielectric and ground test label .....	28
2.4.6. FCC Compliance label .....	29
2.4.7. Interlock system .....	30
<b>2.5. General operational safety</b> .....	<b>31</b>
<b>2.6. Ergonomics</b> .....	<b>32</b>

---

---

## 2.1. Introduction

---

---

The information provided in this chapter is intended to educate you on various safety issues regarding the operation and maintenance of the OPEX equipment described in this manual.

This chapter provides an explanation of the safety conventions used throughout this manual, as well as safety guidelines to be observed when working with this equipment.



### **WARNING**

Read this chapter thoroughly before using this equipment.

---

---

## 2.2. Safety Guidelines

---

---

This section provides safety guidelines to be observed when working with this equipment.



### WARNING

Follow these safety guidelines whenever operating or maintaining the equipment described in this manual.

**Normal operations** - Only authorized personnel shall start, operate, or interfere with the normal working of the machine. Operator training is required, and training is provided in [“Operation” on page 39](#).

**Keep loose objects away from any exposed, moving parts of the machine** - The moving parts of the Omation Series 210™ Envelopener®, such as the conveyor, can become jammed and/or damaged by foreign objects. Keep hands, hair, loose clothing and jewelry away from the moving parts.

**Machine design** - Do not modify the design or configuration of the equipment without consulting OPEX or your authorized representative.

**Machine Maintenance** - Machine maintenance, particular operations, and all adjustments, whether mechanical or electrical, shall be carried out by persons authorized to do so in accordance with a safe system of work.

**Do not attempt to clean the machine while it is running** - A cloth (or similar material) should never be used to clean moving parts such as belts or rollers. The use of such material on moving mechanisms can result in damage to the machine or severe personal injury. If a belt, roller, gate or similar part needs to be cleaned, hand-crank the part during cleaning or clean it while stationary.

**Do not use flammable, high pressure, “canned air” to clean dust and debris from the machine.**

**Machine access** - Keep all areas around the machine clear of obstacles.

**Electrical outlet** - The socket-outlet shall be installed near the equipment and shall be easily accessible.

**Keep away from children** - This equipment is not suitable for use in locations where children are likely to be present.



---

---

## 2.3. Consignes de Sécurité - traduction française

---

---

**Opérations normales** - Seul le personnel autorisé doit démarrer, opérer ou interférer avec le fonctionnement normal de la machine. La formation de l'opérateur est requise et la formation est fournie dans "Opération" a la [Page 39](#)

**Gardez les objets lâches à l'écart des parties exposées et mobiles de la machine**

- Les parties mobiles du Sure Sort, telles que le convoyeur, peuvent être bloquées et / ou endommagées par des objets étrangers. Gardez les mains, les cheveux, les vêtements lâches et les bijoux loin des pièces mobiles.

**Conception de la machine** - Ne modifiez pas la conception ou la configuration de l'équipement sans consulter OPEX ou votre représentant autorisé.

**L'entretien des machines** - La maintenance de la machine, les opérations particulières et tous les réglages, qu'ils soient mécaniques ou électriques, doivent être effectués par des personnes autorisées à le faire conformément à un système de travail sûr.

**N'essayez pas de nettoyer la machine pendant son fonctionnement** - Un chiffon (ou un matériau similaire) ne doit jamais être utilisé pour nettoyer les pièces mobiles telles que les courroies ou les rouleaux. L'utilisation d'un tel matériau sur les mécanismes de déplacement peut endommager la machine ou subir des blessures graves. Si une ceinture, un rouleau, une grille ou une pièce similaire doivent être nettoyés, faire maniveller la pièce pendant le nettoyage ou la nettoyer en stationnaire.

**N'utilisez pas d'air comprimé inflammable, à haute pression pour nettoyer la poussière et les débris de la machine.**

**Accès à la machine** - Gardez toutes les zones autour de la machine sans obstacles.

**Sortie électrique** - La prise doit être installée à proximité de l'équipement et doit être facilement accessible.

**Familiarisez-vous avec le (s) emplacement (s) de la machine Interrupteurs d'arrêt d'urgence** - Les interrupteurs E-Stop permettent un arrêt rapide de tous les moteurs de la machine, en cas d'urgence impliquant des blessures potentielles du personnel. Notez que les E-Stops ne doivent pas être utilisés pour un arrêt normal. Pour plus d'informations sur le bon fonctionnement de la machine, voir "Fonctionnement"

**Accès à la machine** - Gardez toutes les zones autour de la machine sans obstacles.

**Tenir à l'écart des enfants** - Cet équipement ne convient pas aux endroits où les enfants sont susceptibles d'être présents.

---

---

## 2.4. Machine Labels

---

---

Labels are used in specific locations on the Series 210 to alert you to certain safety hazards and provide important information about the machine.

These labels may appear in various languages or styles depending on the region or country where the machine is operating:

- Bilingual English/Spanish labels for US machines
- Bilingual English/French labels for Canadian machines
- Graphics-only labels for EU and various international machines (no text).

Assorted safety labels appear on the machine in various locations, and are described below. In some cases, there may be two different versions of the same label: one for US machines (bilingual), and one for International machines (no text). Though they appear different, the locations of these labels are identical.



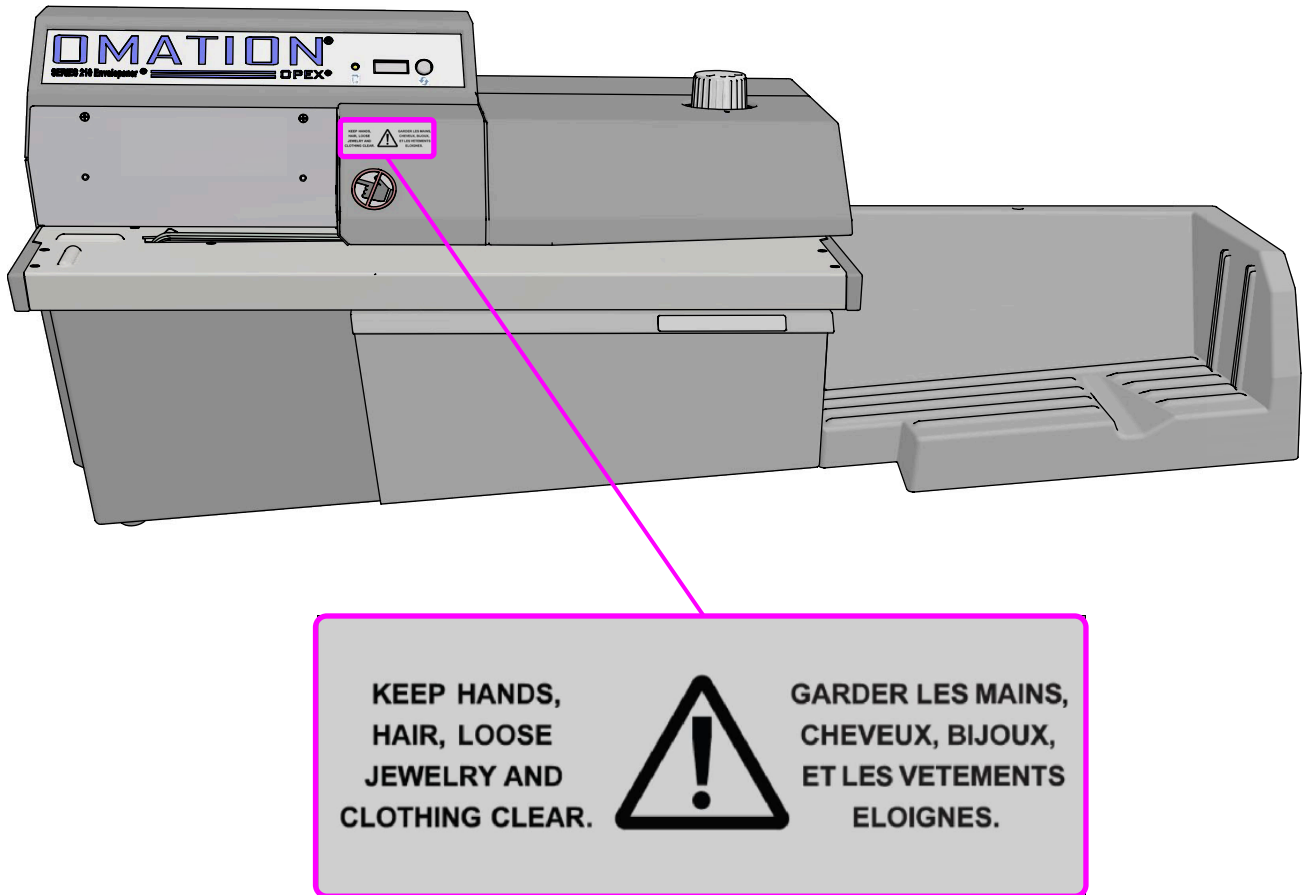
### **WARNING**

Follow the safety precautions on all labels when operating the Sure Sort. Failure to follow these precautions may result in severe bodily injury or death as well as damage to the machine.

## 2.4.1. Feeder Warning Label

**Location:** Front of the machine on the back of the feed hopper (Figure 2-1).

**Purpose:** To warn personnel that hair, loose clothing, or jewelry should be kept away from this area.

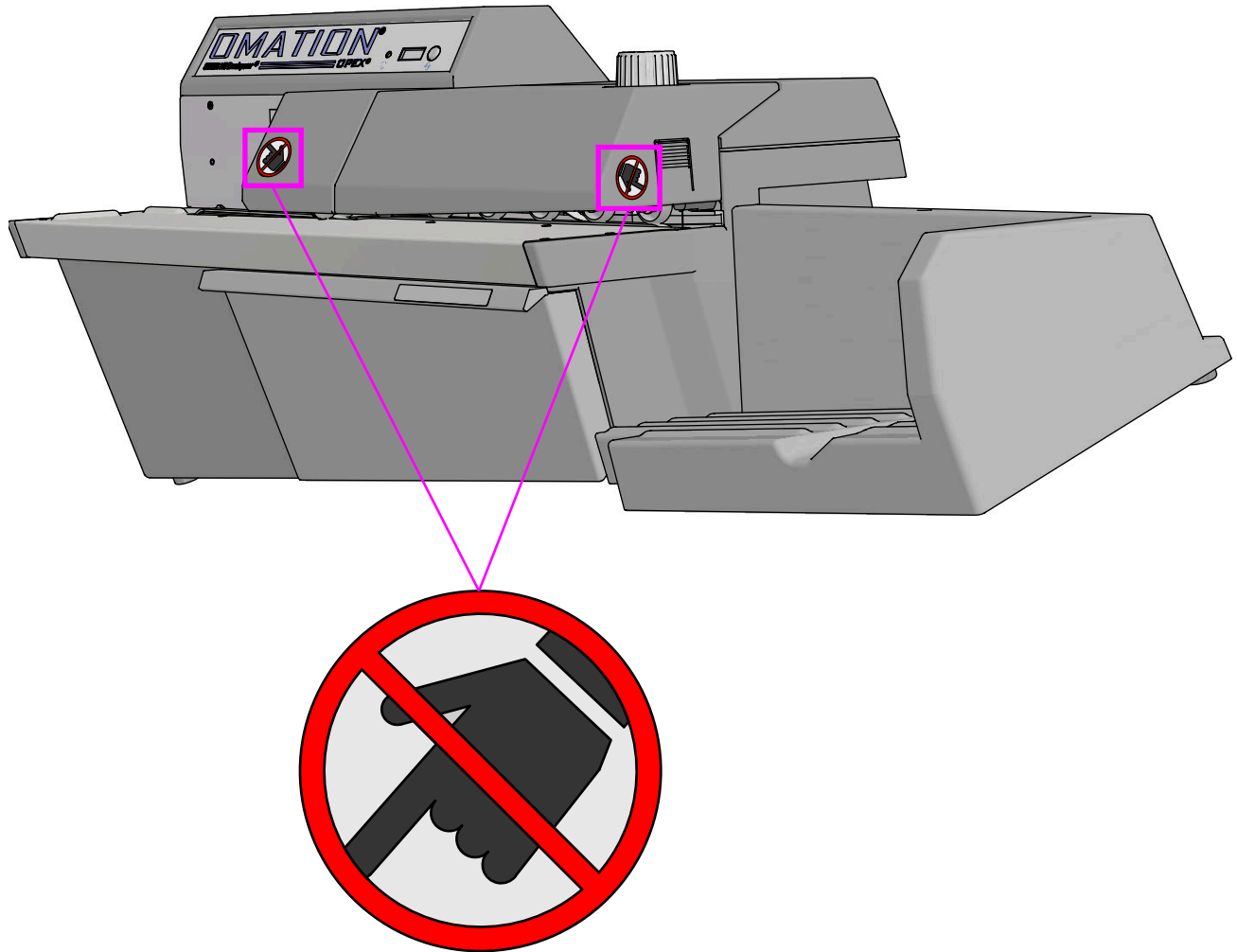


**Figure 2-1: Feeder warning Label**

## 2.4.2. Pinch Point Caution Label

**Location:** The beginning and end of the feed belt path (Figure 2-2).

**Purpose:** Warns about pinch hazards near the feed belt.

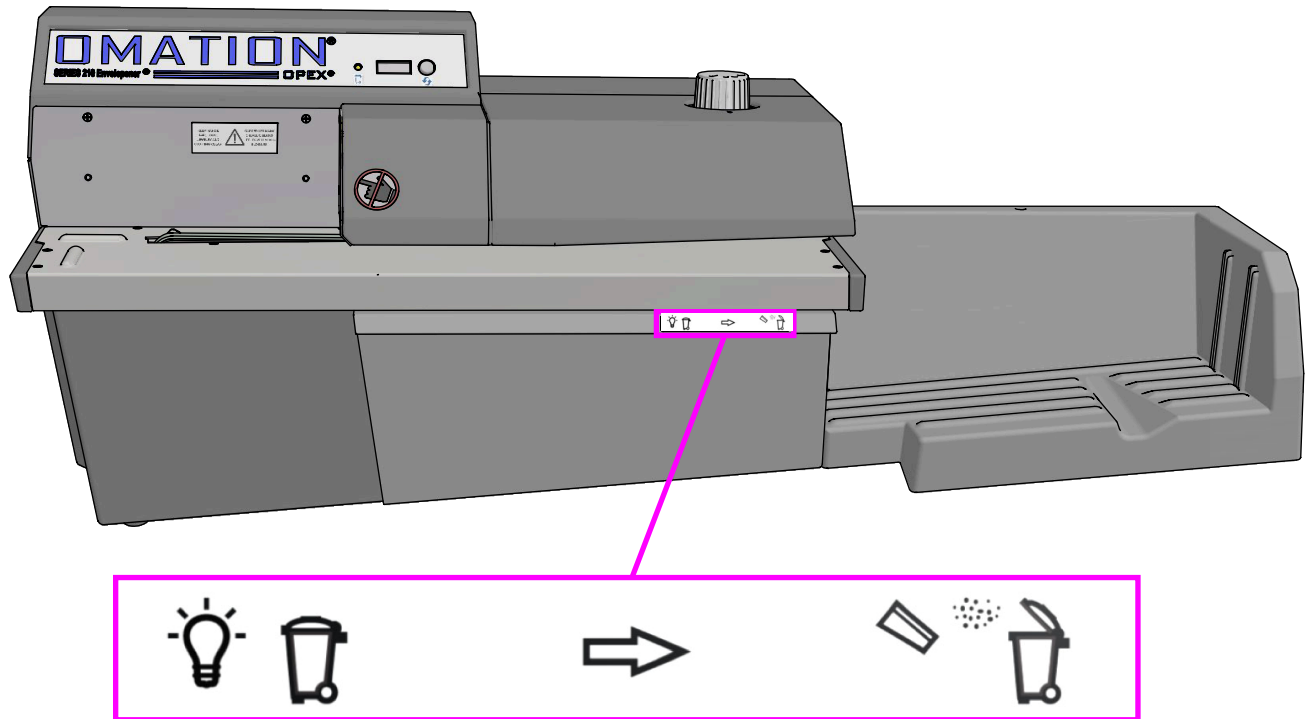


**Figure 2-2: Pinch Point label 1637200**

## 2.4.3. Chip bin Label

**Location:** The handle of the Chip Bin (Figure 2-3).

**Purpose:** Advises personnel the when the light next to the counter goes on, paper cuttings (chips) should be emptied from the bin into the trash.

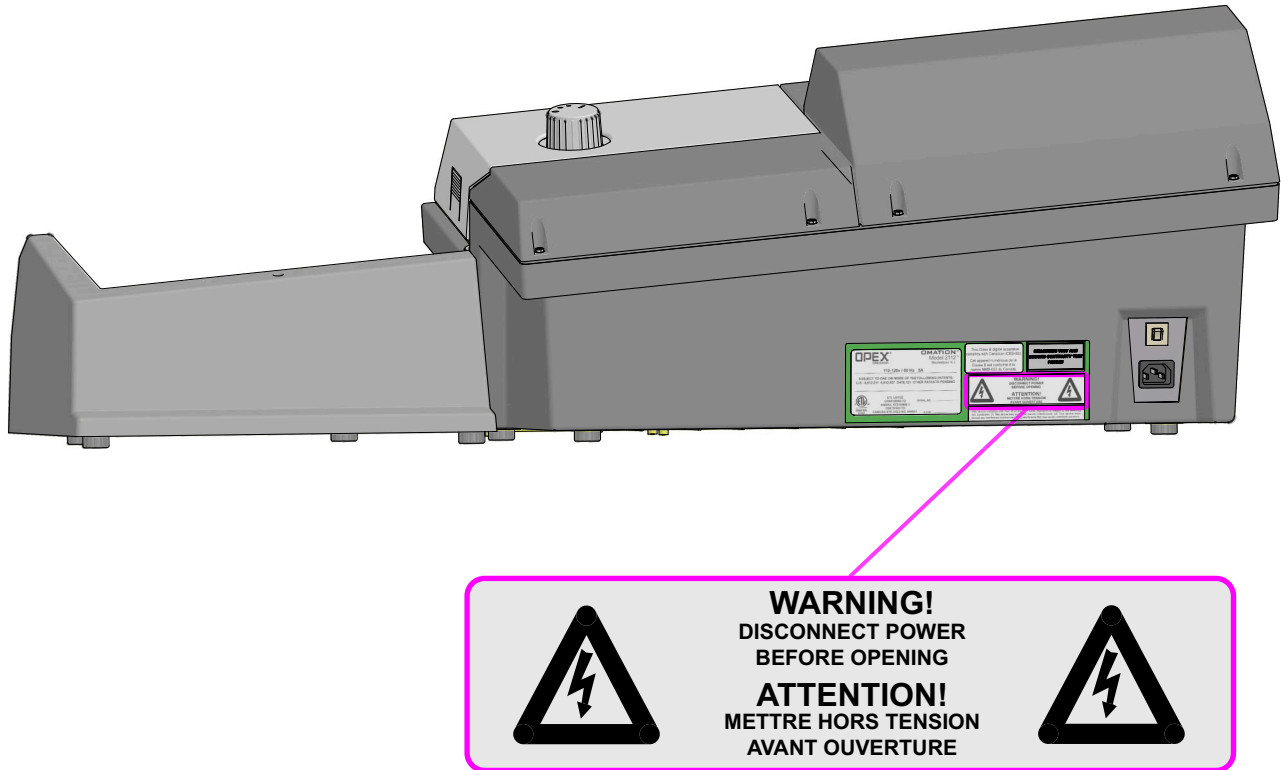


**Figure 2-3: Chip Bin label**

## 2.4.4. Disconnect power warning

**Location:** Rear of the machine (Figure 2-4).

**Purpose:** Warns personnel to disconnect power before opening the machine.

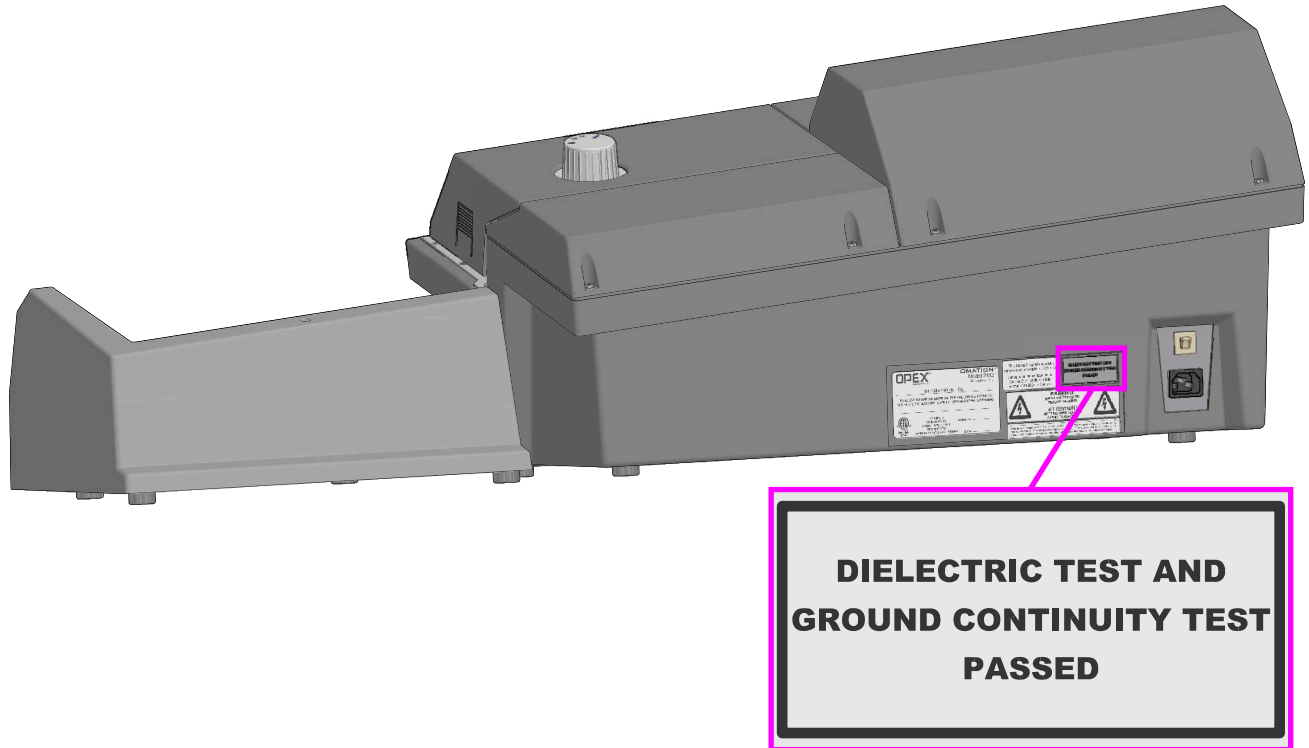


*Figure 2-4: Disconnect Power Before Opening label*

## 2.4.5. Dielectric and ground test label

**Location:** Rear of the machine (Figure 2-5).

**Purpose:** To inform personnel that the ground points in the machine are well connected between each other and it has passed the ground bond test.



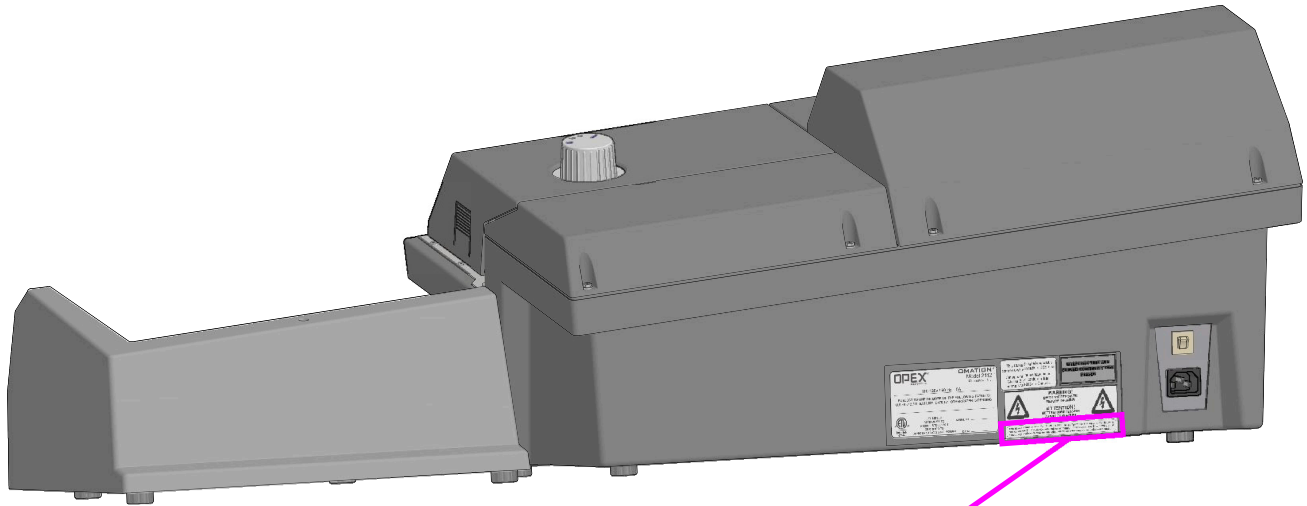
**Figure 2-5: Dielectric and Ground Test label P24838-01**



## 2.4.6. FCC Compliance label

**Location:** Rear of the machine (Figure 2-6).

**Purpose:** Certifies that the electromagnetic interference from the device is under the limits approved by the Federal Communications Commission.



This device complies with Part 15 of the FCC Rules. Operation is subject to the following two conditions: (1) This device may not cause harmful interference, (2) This device must accept any interference received including interference that may cause undesired operation.

**Figure 2-6: FCC Compliance Label 7682610**

## 2.4.7. Interlock system

1. The interlock system will stop all the motors in the machine whenever the nip arm cover is lifted (Figure 2-7) or chip bin tray is removed (Figure 2-8).



**Figure 2-7: Top cover removal interlock triggering**



**Figure 2-8: Bin tray removal interlock triggering**

---

---

## 2.5. General operational safety

---

---

- Read and understand all aspects of the Operator Instructions before operating this equipment.
- Unit must be placed securely on table/surface that is properly rated for accumulated load weight.
- Use of this equipment is limited to its intended function, that of opening mail.
- Do not place fingers in the feed or cutter areas while running the machine.
- Do not operate this equipment with the covers removed.
- Do not set liquids on the Series 210 which could spill into the machine.
- Before cleaning, make sure all power is disconnected.

---

---

## 2.6. Ergonomics

---

---

As in any occupation that requires you to perform the same motion repeatedly during the course of your work, it is important to consider how you perform your task. Listed below are some guidelines to help you minimize the risk of physical discomfort and injury while operating the equipment.

**NOTICE**

Always observe the following guidelines when operating the  
Omotion Series 210™ Envelopener® Envelopener®

**When at the main operator station:**

- Maintain an upright body posture.
- Occasionally change the angle of your posture for greater comfort.
- Avoid operating the machine for longer than a single 10-hour shift. If possible, stretch between breaks.
- Turn off the machine during periods of non-use.

# 3. Overview

3.1. System Overview .....	34
3.2. Equipment Serial Number Locations .....	36

---

## 3.1. System Overview

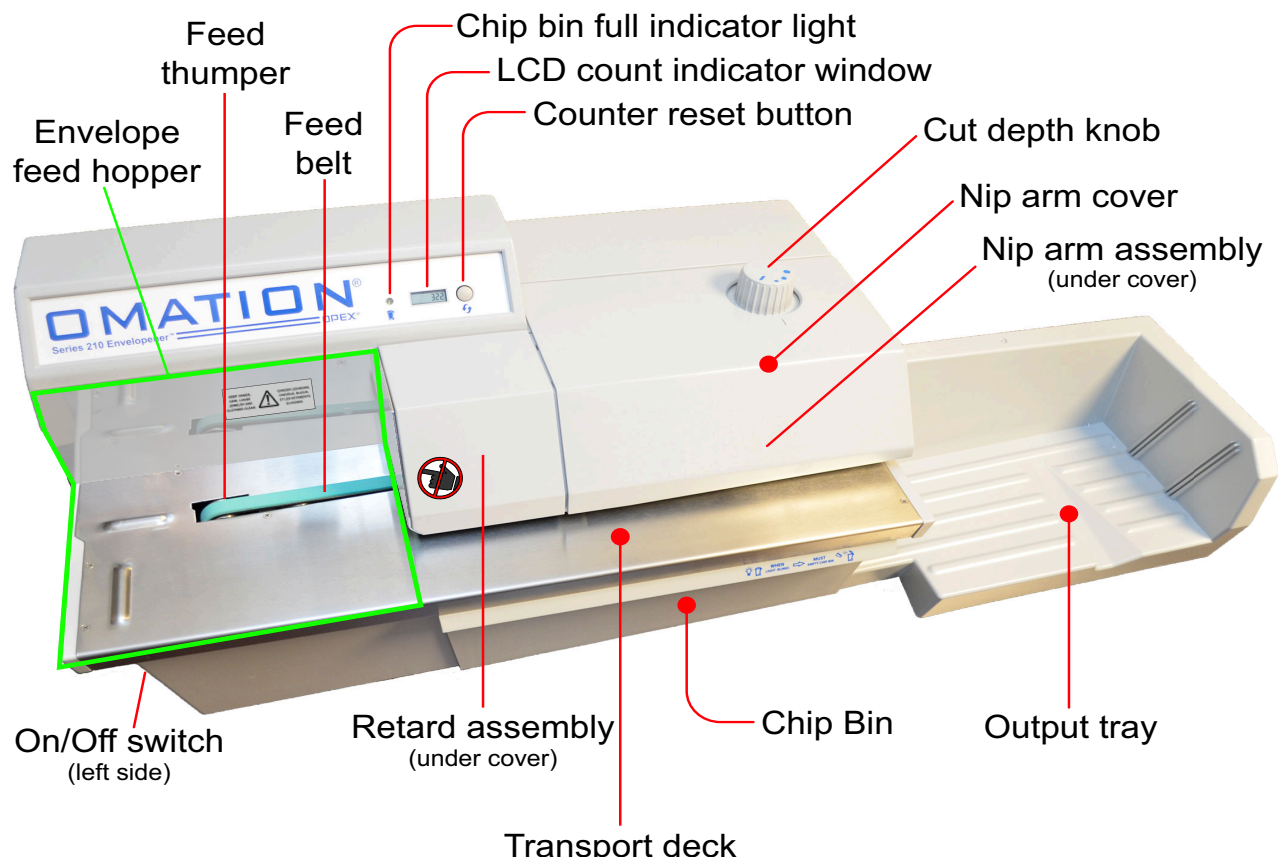
---

The Omaton Series 210™ Envelopener® is a high-speed envelope opener that can open and count envelopes.

Features include:

- Advanced self-adjusting feeder for efficient mixed mail opening
- Milling cutter that can remove as little as 0.010" of a chip (the thickness of three sheets of paper)
- Enhanced chip management/chip capacity
- Three depths of cut and a no cut option
- Large variety of mail types

Please take time to familiarize yourself with the various parts of the machine, which are referred to throughout this manual.



**Figure 3-1: Main Components Front View**

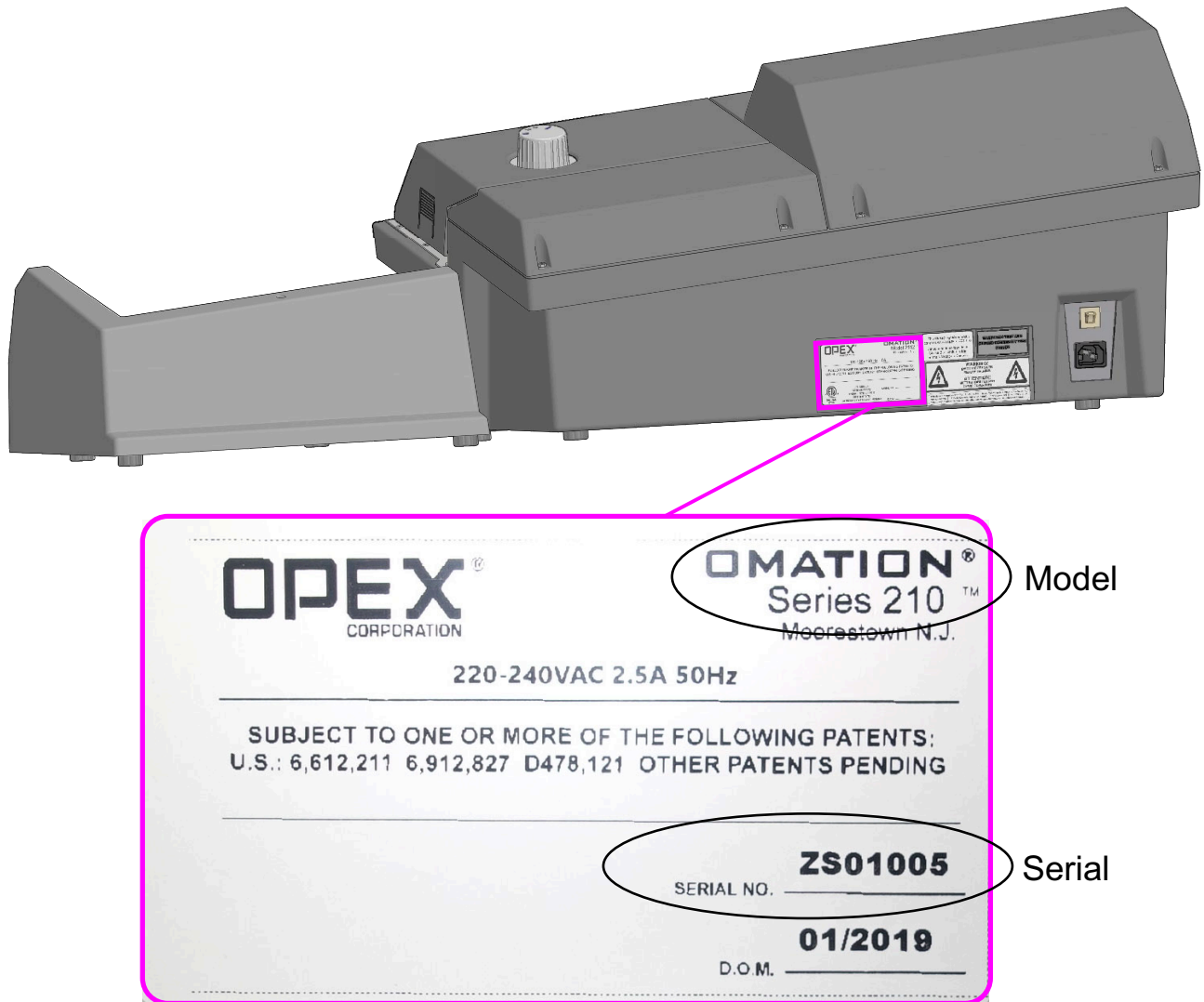


## WARNING

Read and follow all information in [Chapter 2: "Safety"](#) before attempting to operate this equipment.

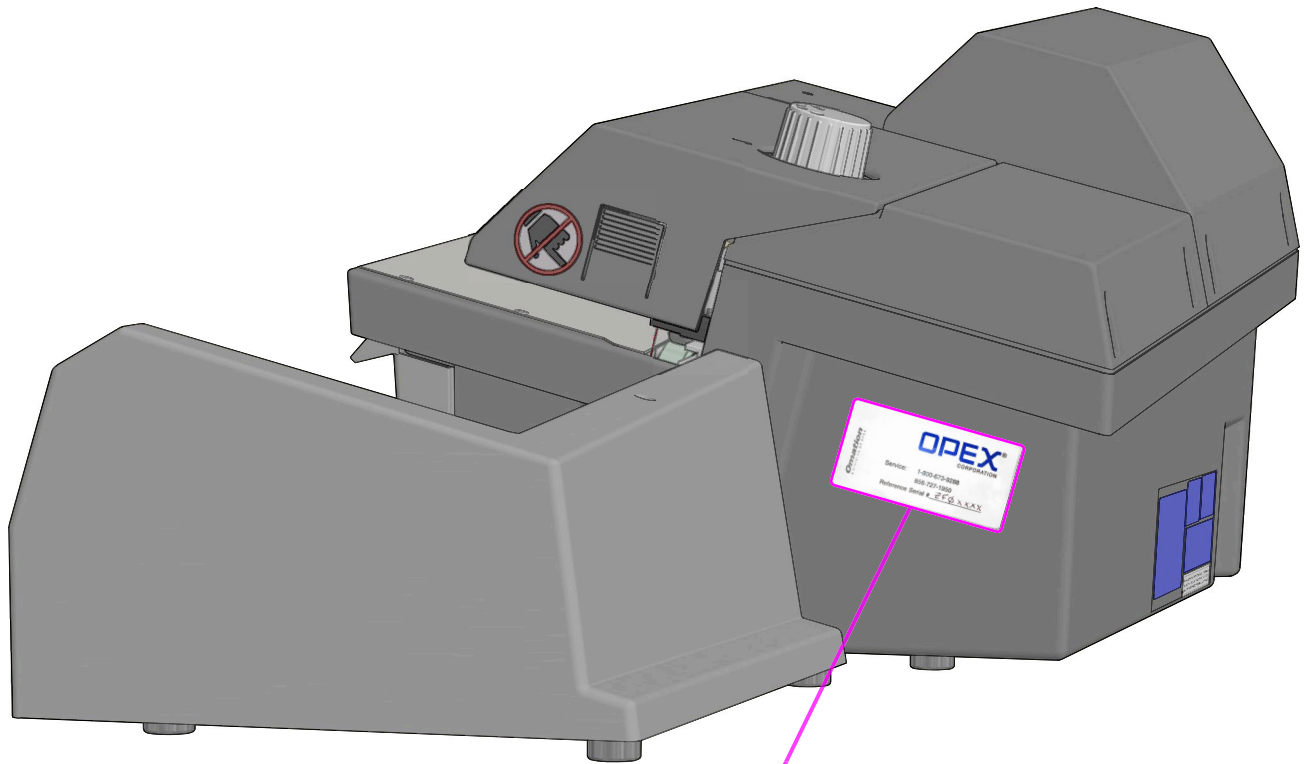
## 3.2. Equipment Serial Number Locations

Before contacting OPEX Technical Support, locate the Model Serial number (Figure 3-2) or Service tag (North American non distributors only [Figure 3-3 on page 37](#)) on your machine so that you can provide the assisting technician with your reference serial number.



**Figure 3-2: Model Serial number label**





**Figure 3-3: Service tag location (NA non-distributors only)**

(This page is intentionally blank)

# 4. Operation

<b>4.1. Operation</b> .....	<b>40</b>
4.1.1. Order of Operation. ....	40
4.1.2. Output tray position .....	47
4.1.3. Clearing jams. ....	50
<b>4.2. Routine Maintenance</b> .....	<b>51</b>
4.2.1. Cleaning the Series 210 Envelopener® .....	51
4.2.2. Cutter Adjustment .....	54
4.2.3. Resetting the circuit breaker .....	56

---

## 4.1. Operation

---

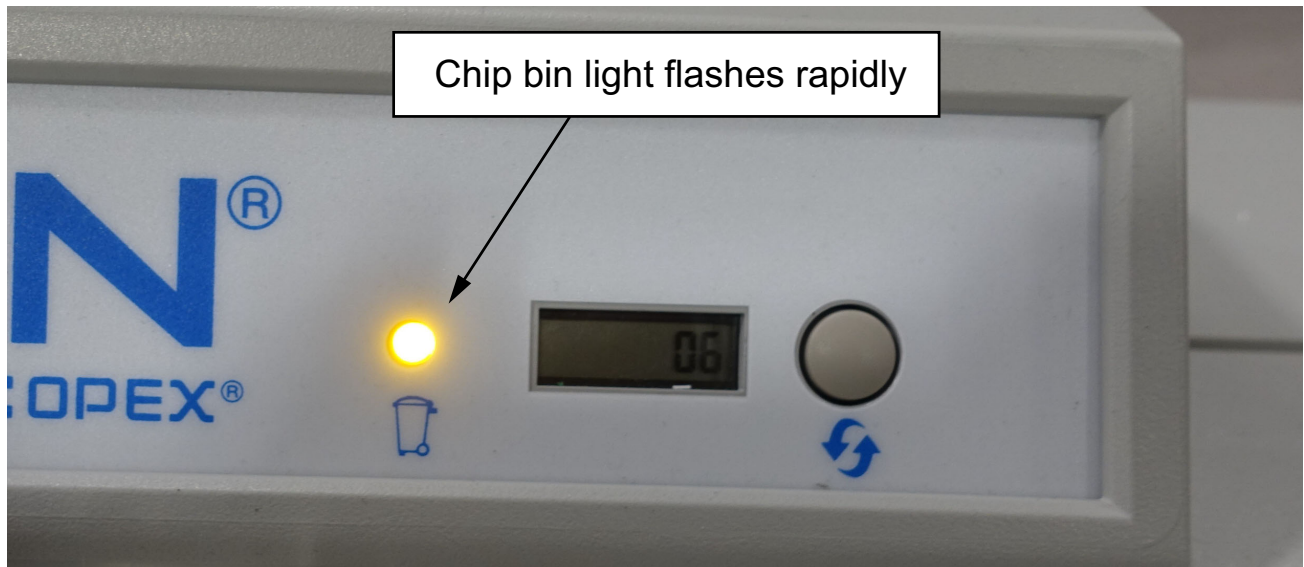
### 4.1.1. Order of Operation

1. Connect the power cord to the back of the machine and plug the other end into an AC supplied outlet (Figure 4-1).



**Figure 4-1: AC input on back**

2. When you first connect the power cable, the Yellow Chip Bin Full Indicator Light may flash (Figure 4-2). This is because the machine cannot determine if the chip bin is full and needs to be emptied. Open the Chip Bin and empty the chips (if any). Removal and replacement of the chip bin resets the indicator (Figure 4-3). An internal counter (not the one on the display) will count up to 3500 envelopes before flashing again to inform you to empty the chip bin.



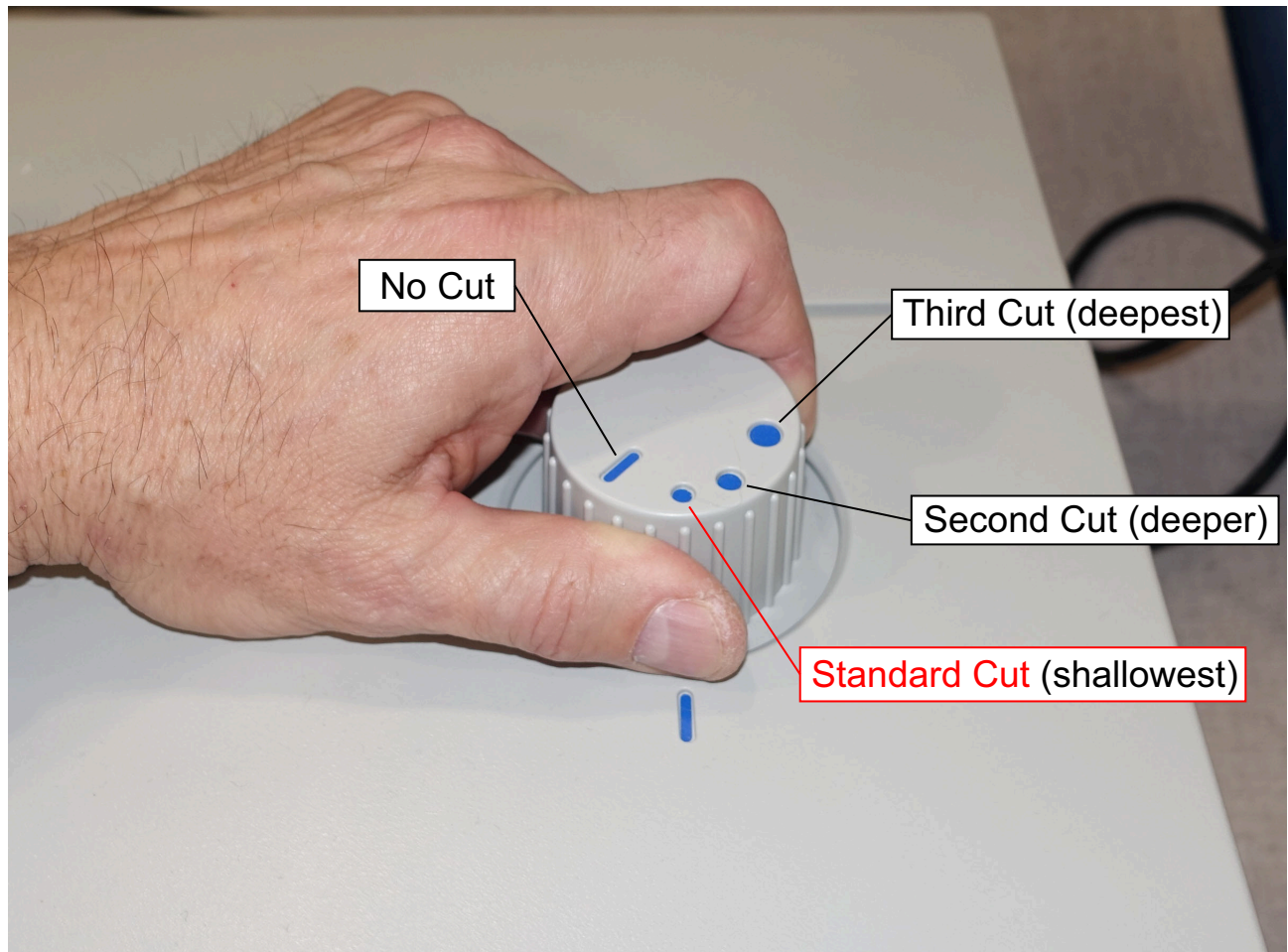
**Figure 4-2: Flashing chip bin light**



**Figure 4-3: Opening the Chip Bin tray**



3. Connect the output tray on the right side of the machine ([Figure 4-10 on page 47](#)).
4. Turn the cut depth knob to the smallest circle next to the bar for a Standard Cut (Figure 4-4). It is recommended that the user select this setting first to cut mail to reduce the chance of cutting the contents.

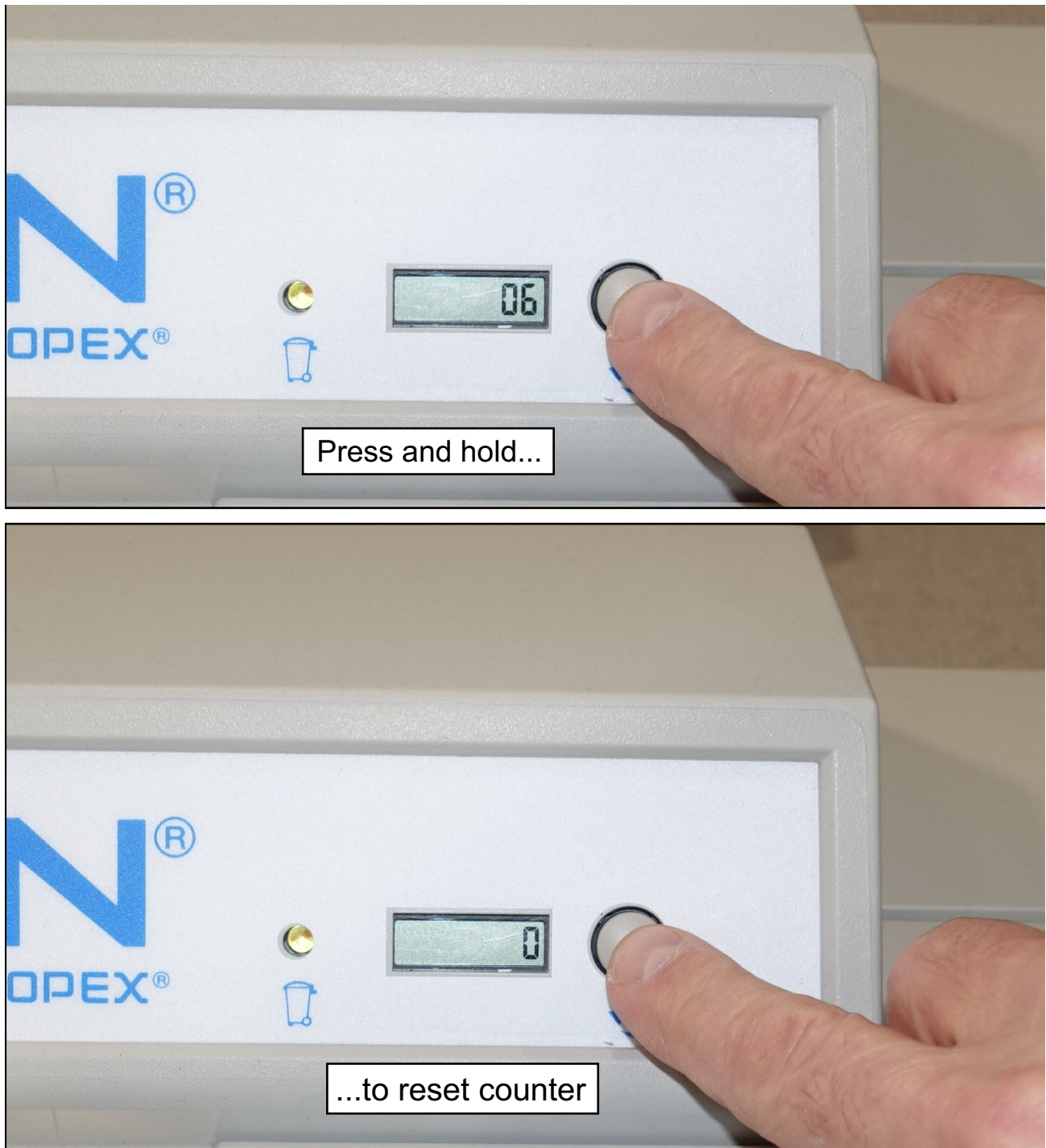


**Figure 4-4: Cutter depth knob**

- If you find incomplete cutting, use the second cut setting.
- The third depth is for envelopes with glued edges or to be used if the second is not opening the envelope.
- The No Cut position is normally used when only counting the mail.

**Note:** *More accurate counting is achieved with smaller stacks of mail.*

5. Reset the Counter by pressing and holding the Counter Reset button next to the LCD display (Figure 4-5).



**Figure 4-5: Counter reset button**



6. Load a handful of mail (approximately 25-50 pieces) onto the Envelope Feed Hopper (Figure 4-6).



**Figure 4-6: Loading the Envelope Feed Hopper**

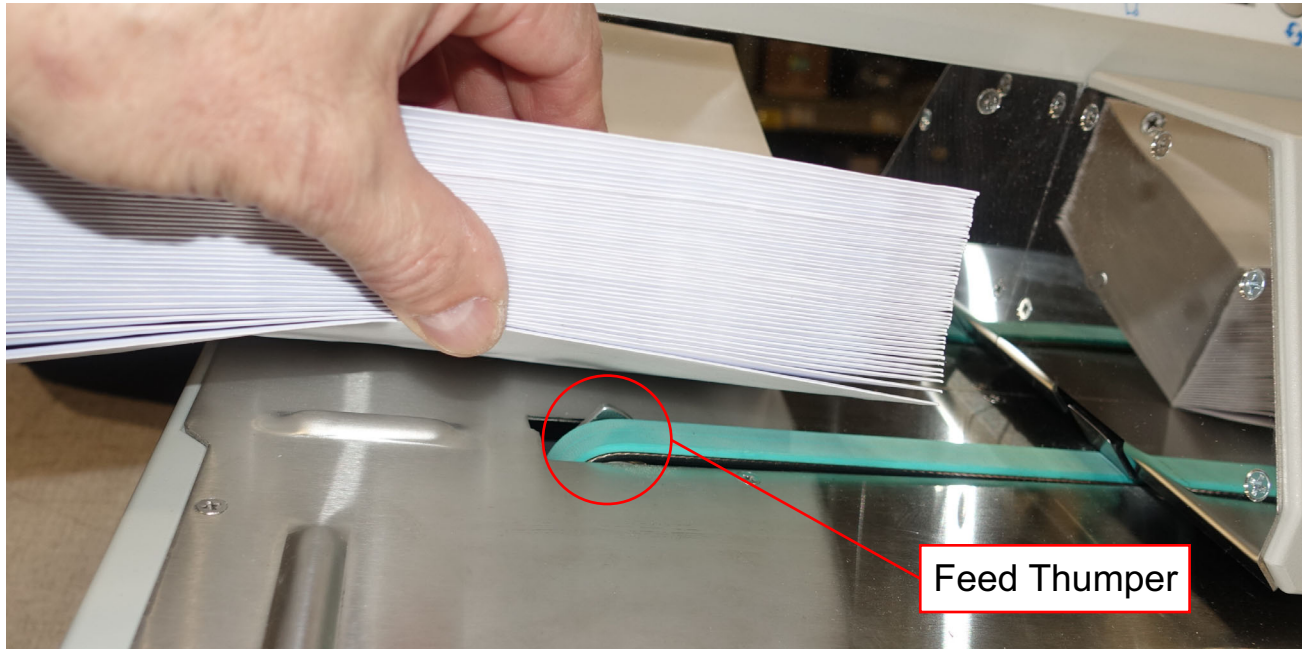
7. Be sure the top side of the mail to be cut is flush against the back of the Feed Hopper (Figure 4-7).



**Figure 4-7: Mail flush against Feed Hopper wall**



- The Feed Thumper (a rotating cam Figure 4-8) helps to jog the mail for improved feeding.



**Figure 4-8: Feed Thumper**

8. Press the AC power switch on the left side of the machine to power on the machine (Figure 4-9).



**Figure 4-9: AC power switch**

9. The conveyor belt pulls the mail into the retard assembly where it is singulated (separated one at a time).
10. The envelope then passes under the cutter where it is cut if desired.
11. The envelope is then passed through the counter sensor and counted (the mail is always counted even if it is not cut).
12. The envelope then moves into the mail output tray.
13. Once the Envelope Feed Hopper is empty, empty the output tray.
14. To continue processing, repeat the above steps.

**Note:** *The feed hopper can be loaded with the machine running.*

## 4.1.2. Output tray position

The position of the output tray can be adjusted for processing larger envelopes. Simply lift the output tray up, move it to the desired position, and press it down onto the stepped tray hitch (see Figure 4-10 through Figure 4-12).

The output tray can be locked in one of three positions:

- a. Against the machine (Figure 4-10).



**Figure 4-10: Output tray against the machine**

**Note:** If you were referenced here by the operation chapter, [click here](#) to return to the next step.

b. One inch away (Figure 4-11).



**Figure 4-11: Output tray one inch away**

c. Two inches away (Figure 4-12).



**Figure 4-12: Output tray two inches away**

**Note:** If you were referred here from “Order of operation,” [click here](#) to return to the next step.



d. Further than two inches away if disconnected (Figure 4-13).



**Figure 4-13: Output tray disconnected**

**Note:** If were you referred here from “Order of operation,” [click here](#) to return to the next step.

### 4.1.3. Clearing jams

From time-to-time, you will experience the inevitable jam. A “jam” refers to any occurrence that causes the machine to stop, not necessarily because an item is physically jammed in the machine. You may have to remove the nip arm cover. This is explained in [“Routine Maintenance” on page 51](#).

---

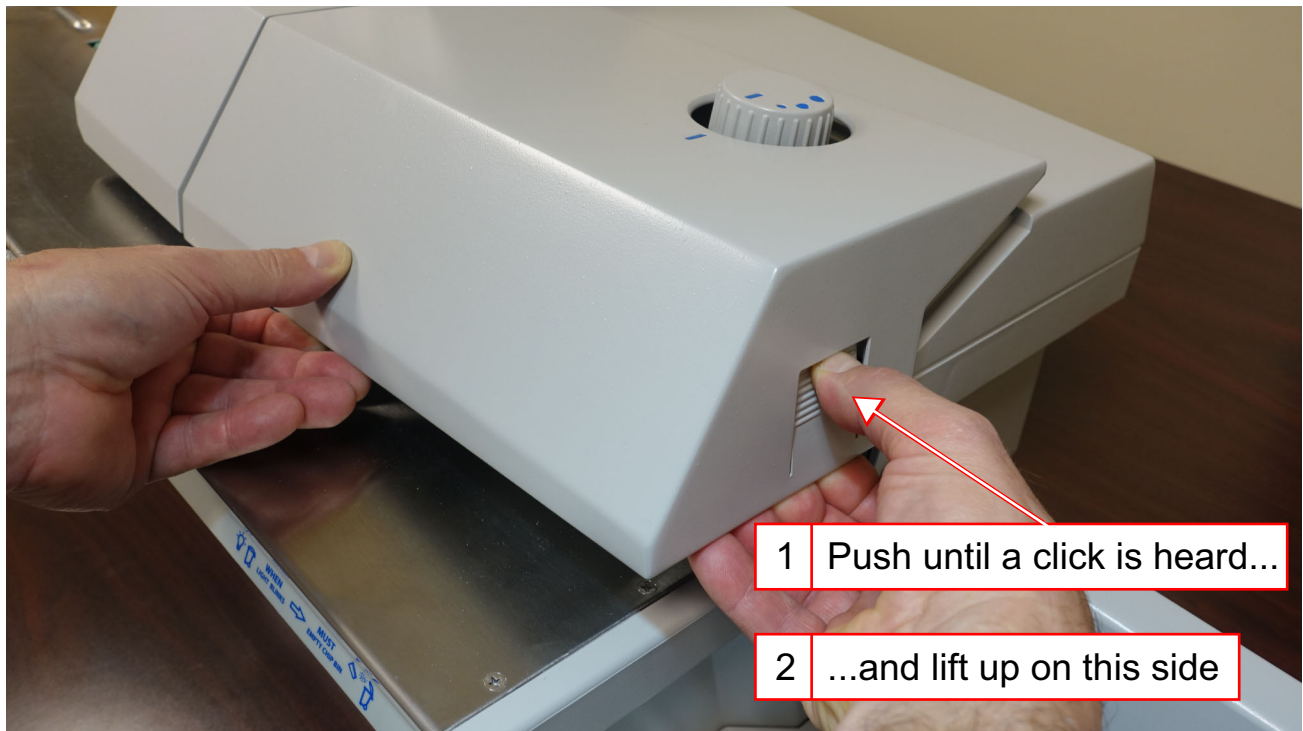
## 4.2. Routine Maintenance

---

It is important that you keep your machine clean and in good working order. This will prolong the overall life of the machine and result in longer periods of “up” time. Therefore, you should perform the following tasks once per day:

### 4.2.1. Cleaning the Series 210 Envelopener®

1. Unplug the power cord.
2. Press the catch release button on the right side of the cover until a “click” is heard and lift the right side (Figure 4-14).



**Figure 4-14: pressing the catch release button**

3. Continue lifting the cover off on the left side to remove it (Figure 4-15).



**Figure 4-15: Lifting the Nip arm cover**

**Note:** If you were referred to this section from “Adjusting Cutter Depth,” [click here](#) to return to that section.

4. Lift the Nip arm wheels to clean under them (Figure 4-16).



**Figure 4-16: Cleaning the nip wheels**



5. Remove and empty the chip bin.
6. Vacuum loose paper chips and debris from the machine.
7. Use a cloth moistened with liquid cleaner to wipe down the exterior of the machine.
  - Use denatured alcohol on areas with stains, if necessary.
    - Any non-flammable commercially available cleaning solution may be used to clean the machine. When cleaning the OPEX Ovation Series 210™ Envelopener®, DO NOT USE aerosol cleaners or compressed air because of the flammable nature of many of these products. There is a risk of equipment malfunction and/or injury associated with the use of aerosol cleaners on OPEX equipment prior to the operation of equipment.
    - When cleaning glass and plastic surfaces, use detergent-based cleaners such as Fantastic™ or Formula 409™. Detergent-based cleaners are recommended, because they do not cause component degradation.



### CAUTION

A cloth soaked with cleaning detergent or similar material should never be used to clean an object such as a belt or roller when the belt or roller is being driven by the system. Use of a cloth or similar material on moving mechanisms can result in personal injury. If a belt, pulley or similar part needs to be cleaned, it should be cleaned while stationary or unplugged.

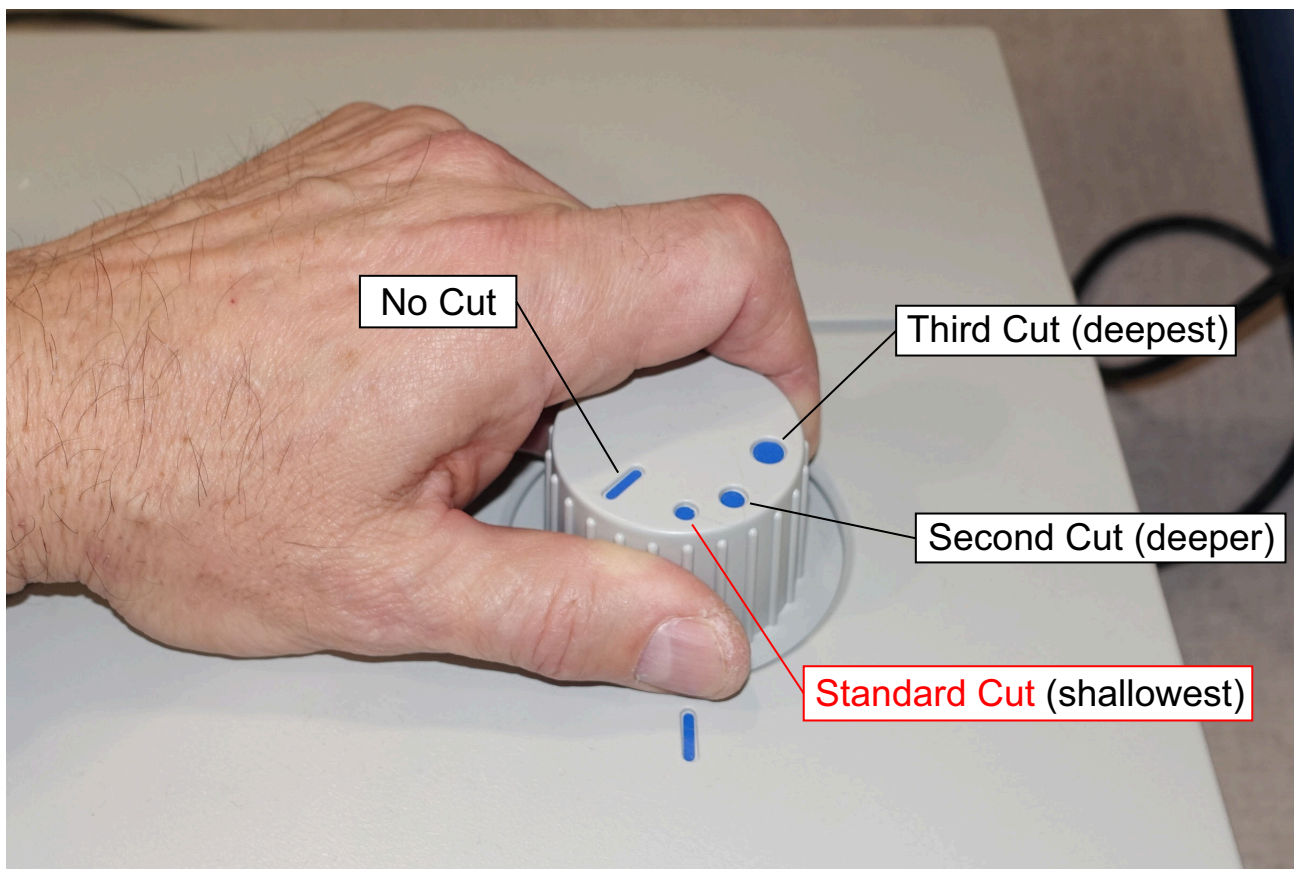
- Wipe dust and debris from the sensors. Debris build-up can cause jams. Accumulations of dirt and debris can cover sensors, preventing them from working effectively. This will hinder machine performance.
8. Re-install the chip bin and nip arm cover.

## 4.2.2. Cutter Adjustment

The cutter depth has been adjusted from the factory and should not need to be adjusted. If you find that mail is not being opened on cutter setting 1 and 2, the cutter can be adjusted.

### To adjust the cutter depth:

1. Set the Cut knob to the “**Standard Cut**” position (Figure 4-17). This position should always cut standard mail deep enough to remove the contents but **not cut** any of the contents. This position will be our reference for the adjustment.



**Figure 4-17: Standard Cut position**

2. Remove the nip assembly cover (See [“Cleaning the Series 210 Envelopener®” on page 51](#)).

3. To deepen the cut, begin by turning the cutter depth screw 1/4 turn the right using a Phillips screwdriver (Figure 4-18).



**Figure 4-18: Adjusting the cutter depth**

4. Replace the cover and run an envelope through to verify if it has been cut now.
5. Repeat steps 3 and 4 until the envelopes are being cut open. If you find the cut is too deep, turn the screw to the left in 1/4 turn or smaller increments until you have the envelope being cut without cutting the contents.

### 4.2.3. Resetting the circuit breaker

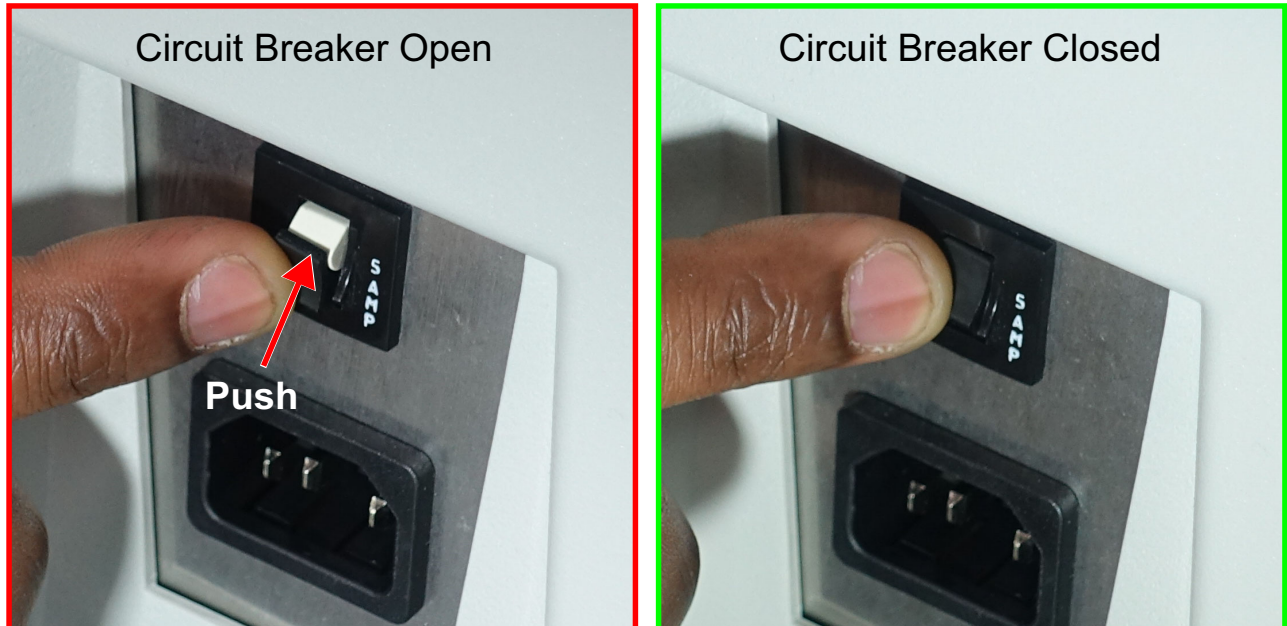
1. If the machine has no display and is plugged in and turned on, check the circuit breaker on the back of the machine.  
The circuit breaker shown in Figure 4-19 has been tripped and is open.



**Figure 4-19: Open circuit breaker**



2. Unplug the power cord and push the circuit breaker toward the machine to close it (Figure 4-20).



**Figure 4-20: Closing the circuit breaker**

3. Plug the power cord back into the machine.
4. Verify the machine has power and operates normally.  
If the circuit breaker pops back out, call OPEX to have the machine serviced (See ["Contacting OPEX" on page 2](#)).

(This page is intentionally blank)

# 5. User Replaceable Parts

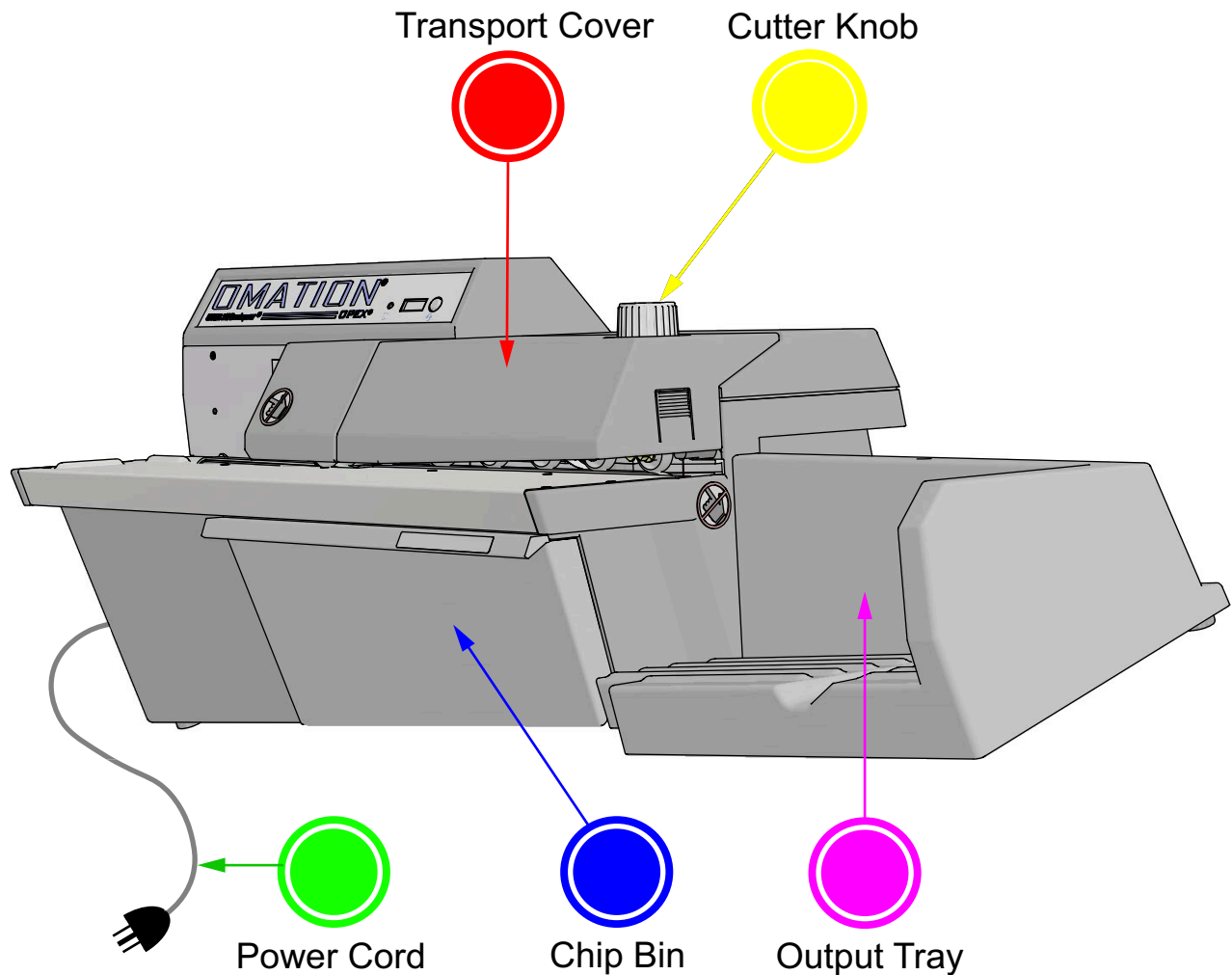
5.1. Overview ..... 60

---

## 5.1. Overview

---

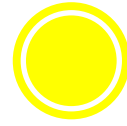
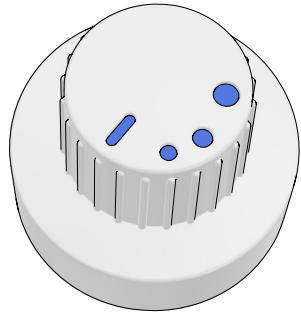
The parts on the following pages can be replaced by the user. If you're viewing the electronic version of the manual on a tablet, tap the circle pointing to the part to jump to the page the part details are on (Figure 5-1).



**Figure 5-1: User Replaceable Parts**



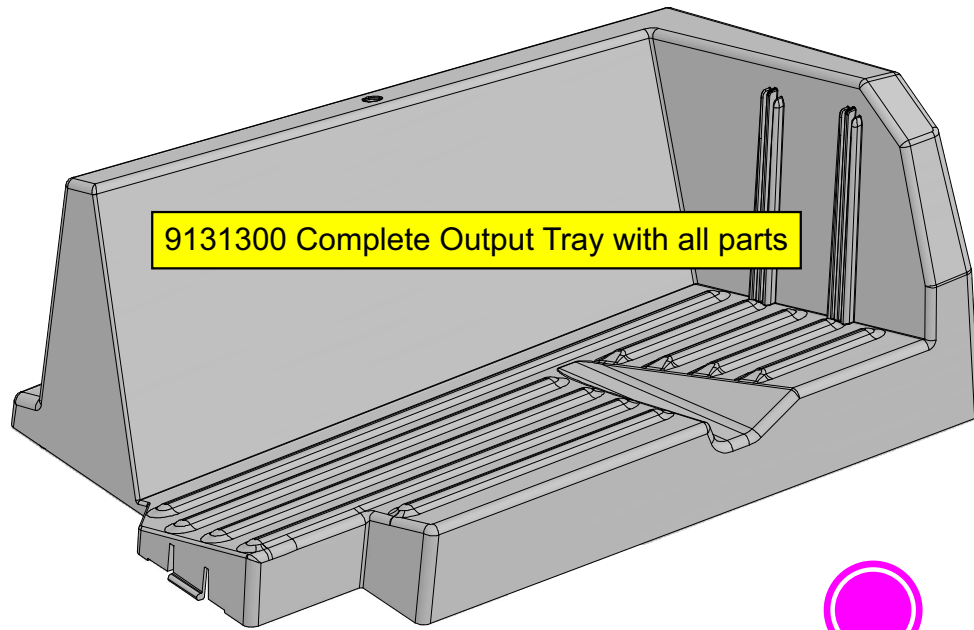
## Cutter Depth Knob



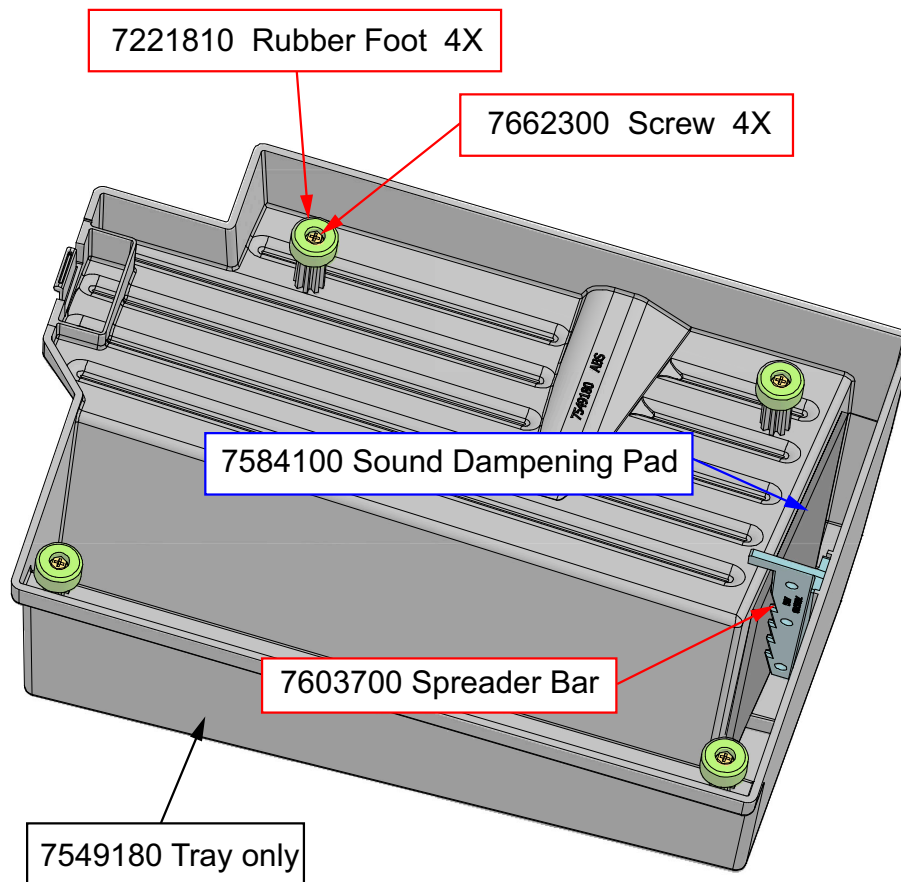
Click to return

***Figure 5-2: 8067050 Cutter Depth Knob***

## Output Tray

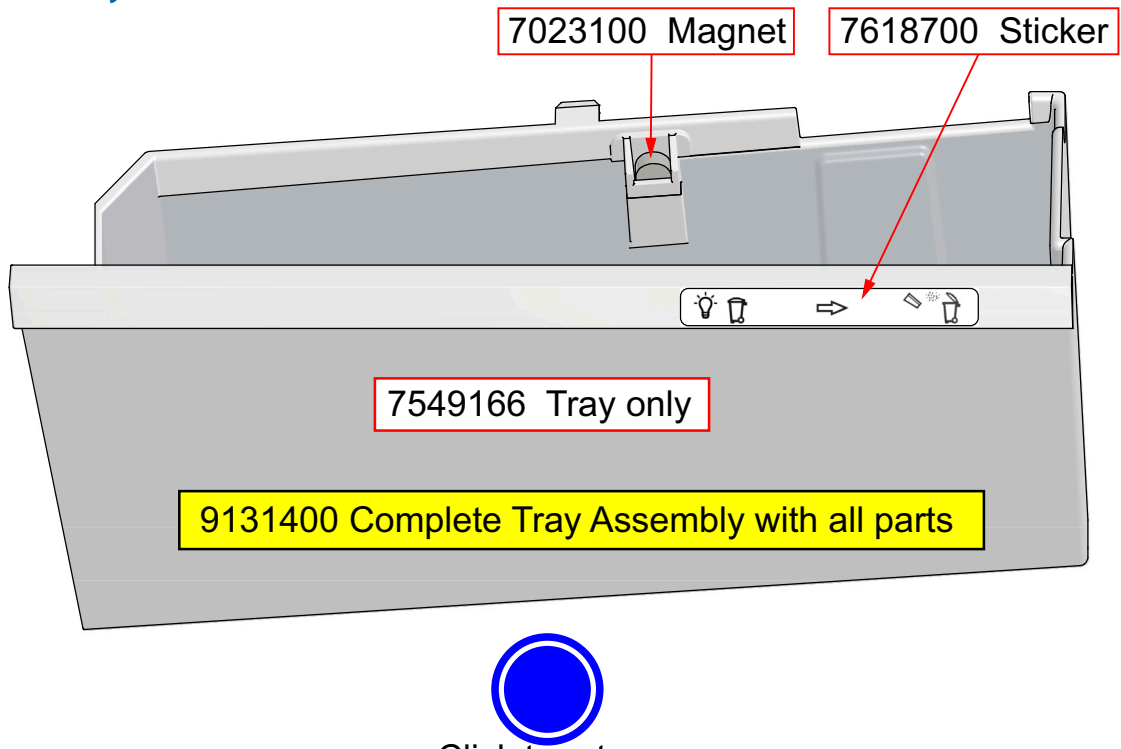


  
Click to return



**Figure 5-3: Output Tray Assembly**

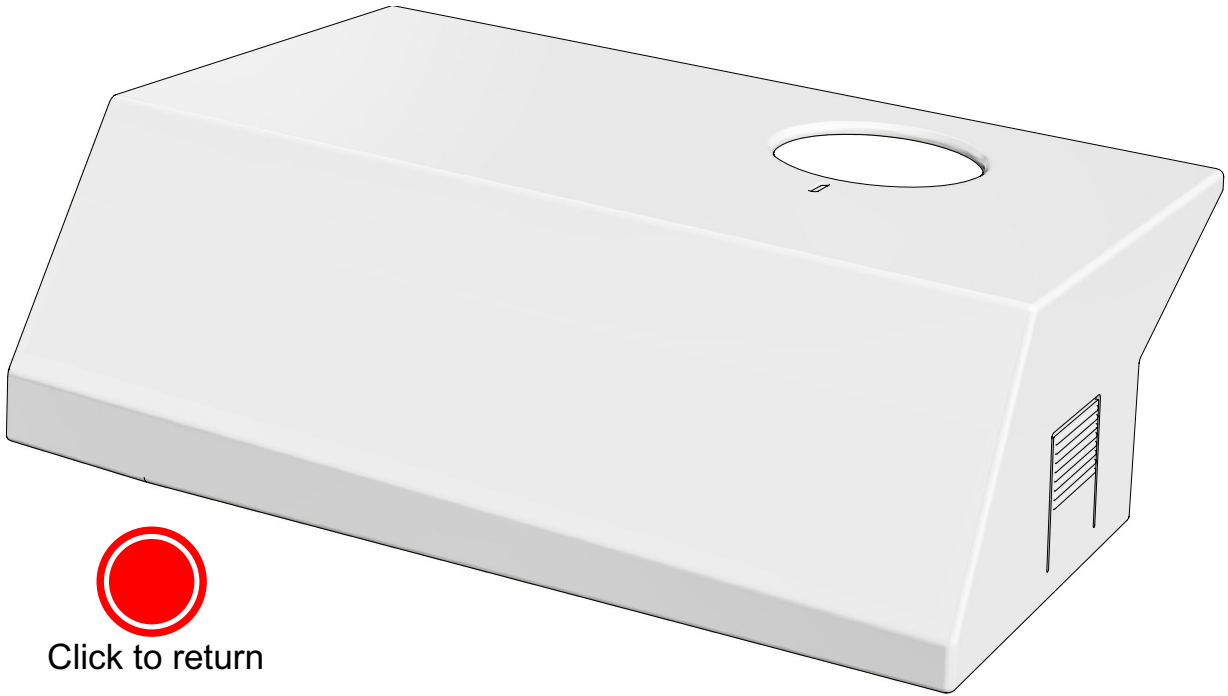
## Chip Bin Tray



Click to return

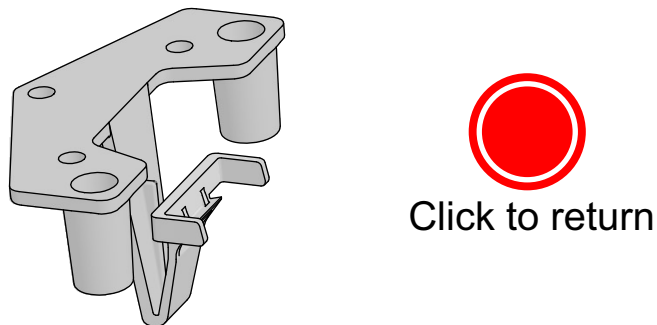
**Figure 5-4: Chip Bin Tray Assembly**

## Transport Cover



**Figure 5-5: 8096700 Transport Cover**

## Transport Cover Latch



**Figure 5-6: 8069225 Transport Cover Latch (under cover)**

## AC Power Cords

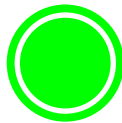
North America - Part #109003



United Kingdom - Part # 2282101



France, Germany - Part # 2282102



Click to return

**Figure 5-7: AC Power Cords**

**Table 5-1: Additional Power Cords**

Country	Part Number
Australia	# 109008
Denmark	# 109015
India, South Africa	# 109016
Switzerland	# 109018
Italy	# 109019
Japan	# 2952200

(This page is intentionally blank)

# 6. Specifications

**Ovation Series 210™ Envelopener®**

**Operator Manual**

<b>Physical Specifications</b>	
Length	40.5" – 42.5" (1028.7 mm –1079.5 mm)
Depth	16.5" (419.1 mm) or with power cord 18" (457.2 mm)
Height	14.3" (363.22 mm)
Weight (base model)	52 lbs (23.59kg)

<b>Operating Specifications</b>	
Speed	Up to 400 envelopes / minute (using 6" envelopes)
Envelope Sizes & Types	Min. length: 3.50" Max. length: 14.00" Min. height: 3.00" Max. height: 9.50"
Thickness	Up to 0.188" (4.8 mm)
Cutter Settings	<p>Cut depths range from 0.01"-0.07". (.25mm -1.79mm)</p> <p><b>Default settings</b> No-cut setting, Cut depth 1 = .010 (0.254mm) Cut depth 2 = .014 (0.356mm) Cut depth 3 = .060 (1.524mm) The cut adjustment screw changes the cut depth .0044" for every ¼ turn of the screw.</p>

<b>Power Specifications</b>	
Power	US: 110-120 VAC, 60HZ, 5A EURO: 220-240 VAC, 50HZ, 3A JAPAN: 100 VAC, 50/60HZ, 3A



<b>Environmental Specifications</b>	
BTU Rating	US: 1964 BTU/h (max @ 115v/5A) EURO: 2357 BTU/h (max @ 230v/3A) JAPAN: 1024 BTU/h (max @ 100v/3A)
Operating and Storage Temperature range	40°F – 100°F(4.4°C – 37.8°C), Humidity 10 – 90% Non-condensed.
Decibel Rating	Does not exceed safety standard of 80 dB.

(This page is intentionally blank)

# G. Glossary

**Ovation Series 210™ Envelopener®**

**Operator Manual**

---

---

## G.1. List of Terms

---

---

The following list of terms, used throughout the OMATION® Series 210 Envelopener® documentation, is sorted alphabetically.

**Cam** - A rotating wheel with the axle not in the center transforming rotary motion into linear motion.

**Chip bin** - Collects cuttings discharged from the cutter.

**Chip bin indicator light** - Indicates if the chip bin is full.

**Circuit breaker** - A button that acts as a fuse but can be reset by pressing it.

**Counter reset button** - This button resets the counter to zero.

**Cutter depth knob** - The knob used to set the depth of cut.

**Denatured Alcohol** - A type of alcohol that can be used for cleaning the outer surfaces of the machine that leaves no residue.

**Envelope Feed Hopper** - The area where the envelopes are stacked to be fed into the retard assembly

**Envelopener** - A machine that opens envelopes.

**Feed Thumper** - A rotating cam that helps to jog the mail for improved feeding.

**Feed belt** - This belt grabs the bottom envelope and pulls it into the retard assembly.

**Interlock** - A safety device that shuts the system down when tripped.

**Jam** - A problem with the system, typically (but not always) caused by a blockage.

**LCD count window** - Shows the total count of the mail processed since the last time it was reset.

**Milling cutter** - A cutter that chips away the edges of the envelope small bit at a time like a circular saw.

**Nip arms** - Rollers that keep the envelopes firmly pressed against the belt as they move past the cutter.

**Operator** - The person running the machine.

**Output tray** - Collects mail as it leaves the Series 210.

**Retard Assembly** - Separates the mail to one piece at a time as the stack of mail is pulled up to the entrance of the retard assembly.

**Singulate** - To separate or choose one at a time.

(This page is intentionally blank)

---

---

## About OPEX Corporation

---

---

For over four decades, OPEX has delivered forward-focused solutions for customers ranging from businesses aspiring to e-commerce success, to organizations striving for agility and profitability in a world that values speed and rewards service.

Throughout these 40+ years of leadership by the Stevens family, OPEX has forged a reputation for steadfast values: high quality, exceptional customer service, stability, stewardship and unwavering independence.

Utilizing a vast global workforce of direct employees, OPEX serves a variety of industries including financial services, insurance, healthcare, government, retail, non-profits, utilities, telecommunication, service bureaus, educational institutions and fulfillment operations.

To maintain our commitment to the highest standards of quality, we control all aspects of product design. Our combined Moorestown, NJ World Headquarters and Pennsauken, NJ production facilities feature 475,000 square feet of solar-powered engineering, manufacturing, warehouse, product assembly and office space.

# **OMATION**

## **SERIES 210™ ENVELOPENER®**

